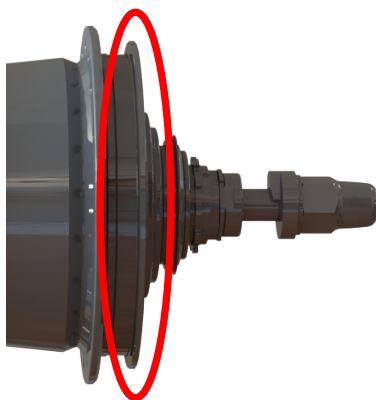
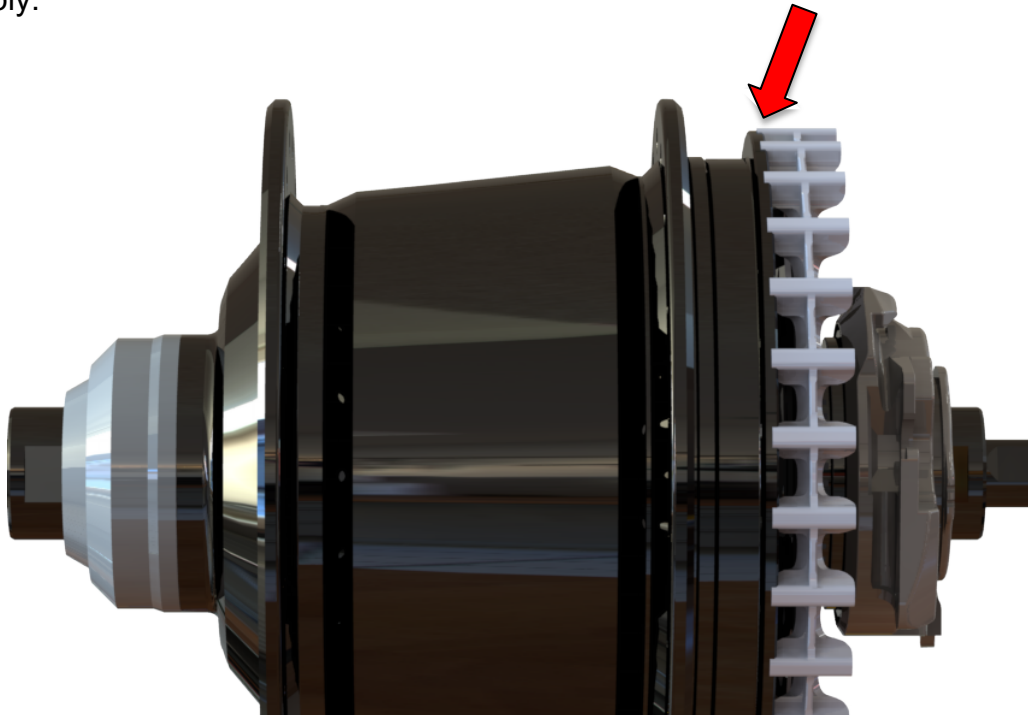
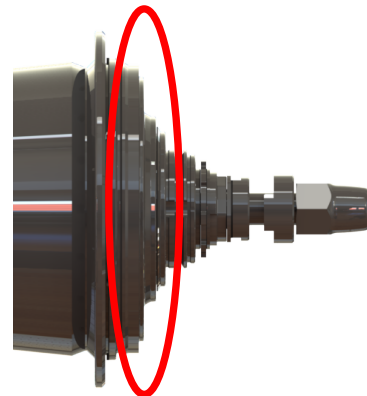


Shimano Alfine Chain Guard Interference

All Shimano Alfine hubs, including Di2, are preassembled with a chain guard. This chain guard can cause interference with Carbon Drive belts and sprockets. The chain guard is unnecessary when used with Carbon Drive, and should be removed prior to assembly.



With chain guard



Chain guard removed

See Shimano Cassette Joint Tech Bulletin for more information:
www.gatescarbondrive.com/resources/manuals-and-tech