

general tolerance DIN 2768-f	MATERIAL: Stahl	WEIGHT:
all edges deburred	TITLE: Frame	
DRAWN	NAME NICOLAI	DATE 18.05.2010

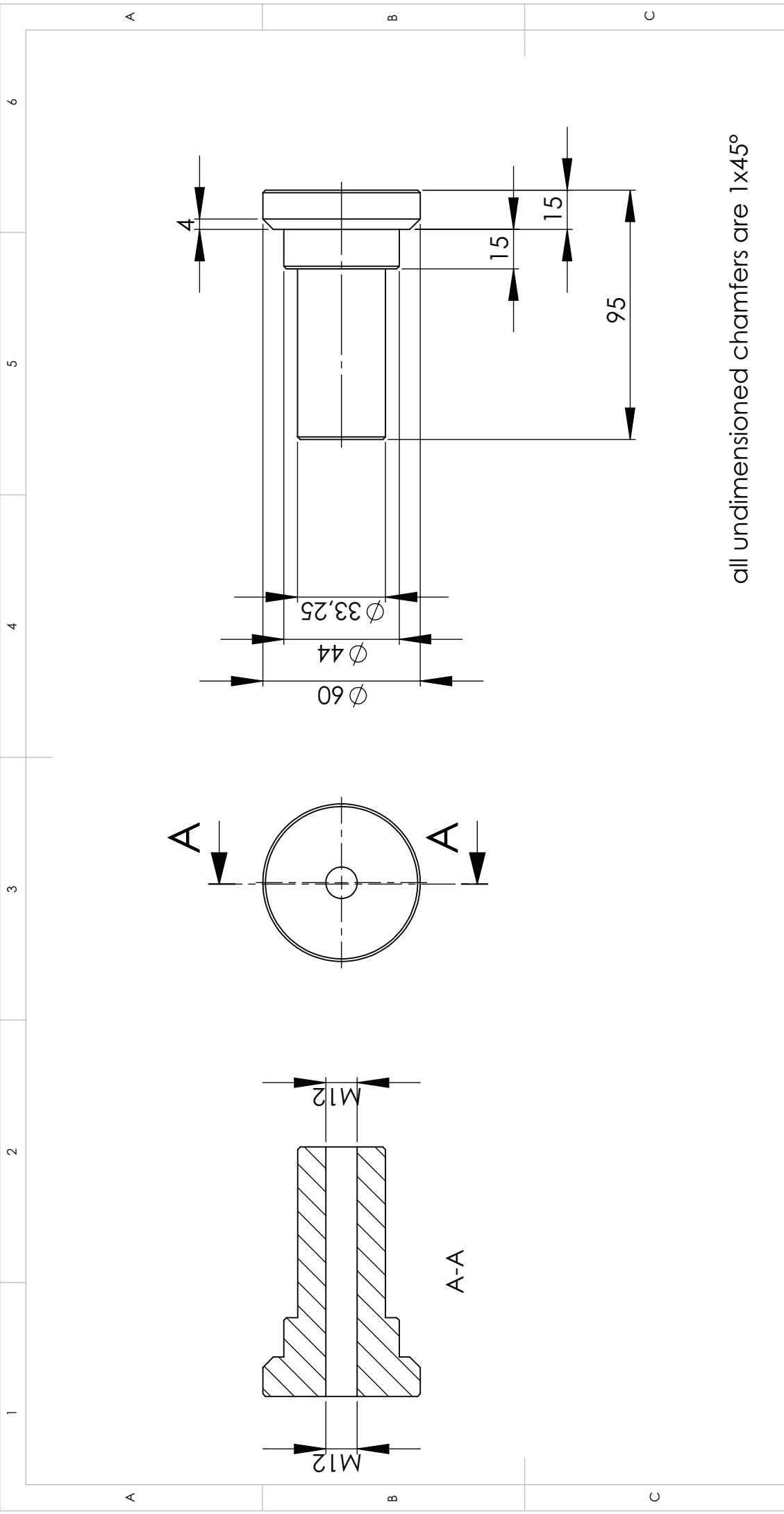
© bei Übermittlung schutzfähiger Informationen behält sich
 KARLHEINZ NICOLAI KÜLTALSTR. 18
 31093 LÜBBRECHTSEN - GERMANY
 alle Rechte für den Fall der Patentierung vor.
 © In case of communicating patentable information
 all rights arising in the event of a patent grant remain with
 KARLHEINZ NICOLAI KÜLTALSTR. 18
 31093 LÜBBRECHTSEN - GERMANY.
 All rights of disposition, particularly for
 patenting, are reserved.
 The English translation is believed to be accurate.
 In case of discrepancies the german version shall govern.

Jede Verfügung ohne schriftliche Genehmigung ist unzulässig, bei uns.
 © In case of communicating patentable information
 all rights arising in the event of a patent grant remain with
 KARLHEINZ NICOLAI KÜLTALSTR. 18
 31093 LÜBBRECHTSEN - GERMANY.
 All rights of disposition, particularly for
 patenting, are reserved.
 The English translation is believed to be accurate.
 In case of discrepancies the german version shall govern.

view A
scale 1 : 2

view B
scale 1 : 5

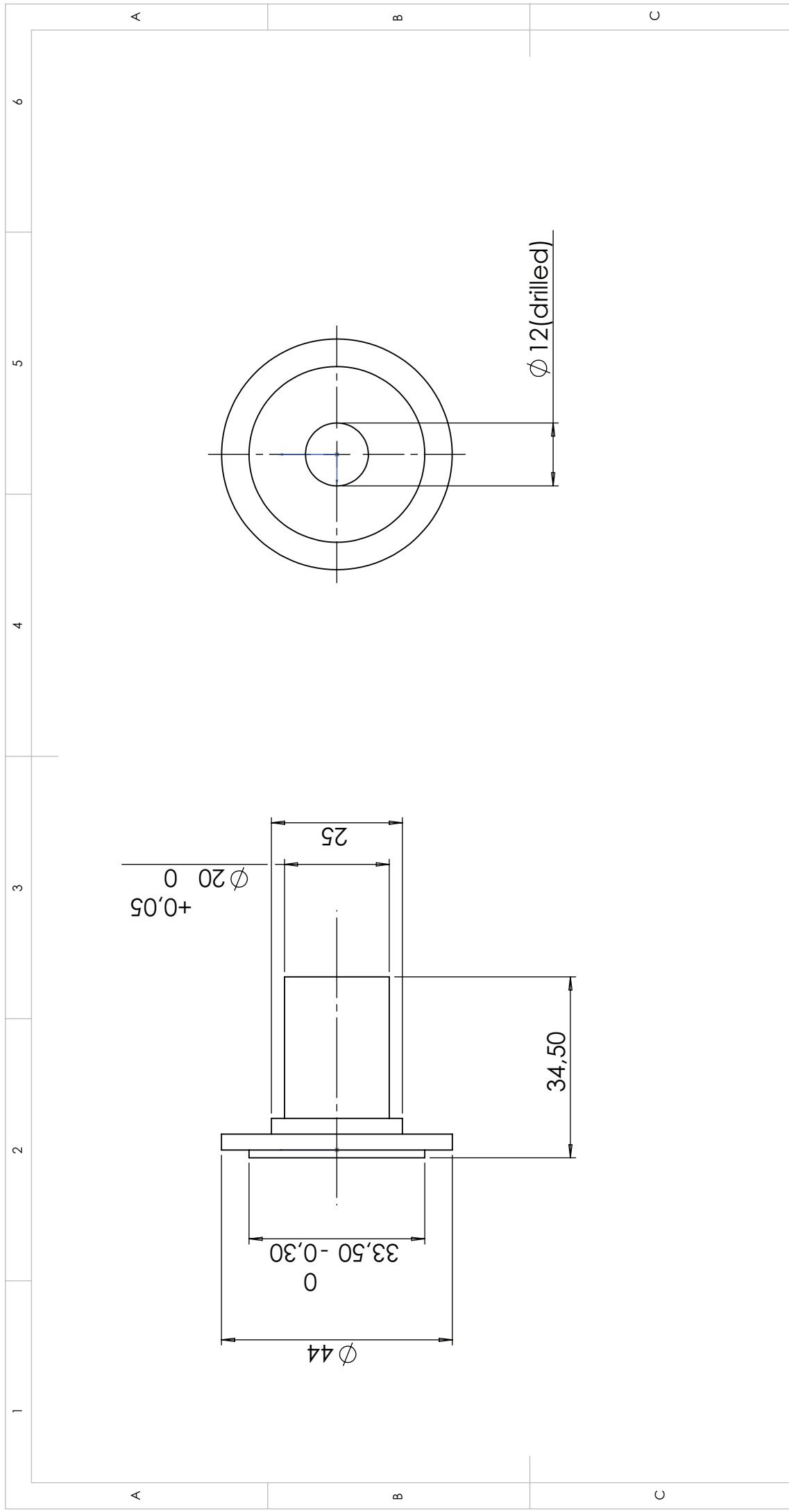
DWG NO. **A4**
SCALE: 1:20
1 OF 1




all undimensioned chamfers are 1x45°

DRAWN		NAME	SIGNATURE	DATE	general tolerance DIN 2768-f	MATERIAL:	steel	WEIGHT:
DRAWN		NICOLAI		18.05.2010				
<p>© bei Übermittlung schutzfähiger Informationen behält sich KARLHEINZ NICOLAI KÜLTALSTR. 18 31093 LÜBBRECHTSEN - GERMANY alle Rechte für den Fall der Patentierung vor. Jede Verfertigung, Verbreitung oder Benutzung ohne schriftliche Genehmigung ist, bei uns, © in case of communicating patentable information all rights arising in the event of a patent grant remain with KARLHEINZ NICOLAI KÜLTALSTR. 18 31093 LÜBBRECHTSEN - GERMANY. All rights of disposition, particularly for reproduction, are reserved. Any use without our written consent is prohibited. The English translation is believed to be accurate. In case of discrepancies the german version shall govern.</p>					TITLE:			
					bottom bracket seat			
					DWG NO.			
					A4			
					SCALE: 1:2			
					1 OF 1			

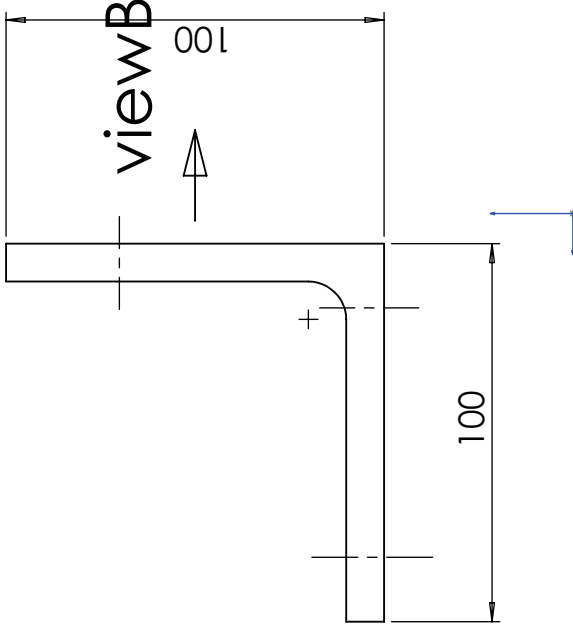




DRAWN		NAME	SIGNATURE	DATE	general tolerance DIN 2768-f	MATERIAL: steel	WEIGHT: 11.94 g
DRAWN		NICOLAI		18.05.2010			
<p>© bei Übermittlung schutzfähiger Informationen behält sich KARLHEINZ NICOLAI KÜLTALSTR. 18 31093 LUBBRECHTSEN - GERMANY alle Rechte für den Fall der Patentierung vor. © in case of communicating patentable information all rights arising in the event of a patent grant remain with KARLHEINZ NICOLAI KÜLTALSTR. 18 31093 LUBBRECHTSEN - GERMANY. All rights of disposition, particularly for reproduction, are reserved. The English translation is believed to be accurate. In case of discrepancies the german version shall govern.</p>					TITLE: Bearing pin		
					DWG NO. A4		
					SCALE: 1:1		
					1 OF 1		

1 2 3 4 5 6

C

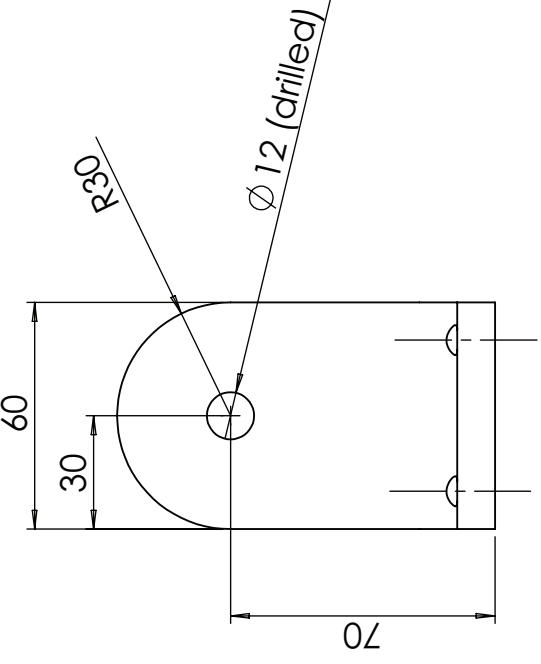


view B

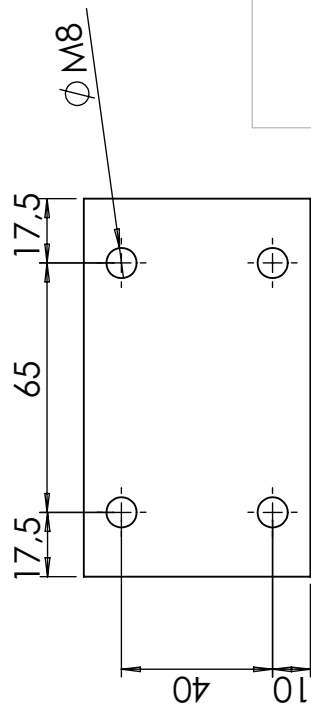


100

100




view B
scale 1 : 2



view C
scale 1 : 2

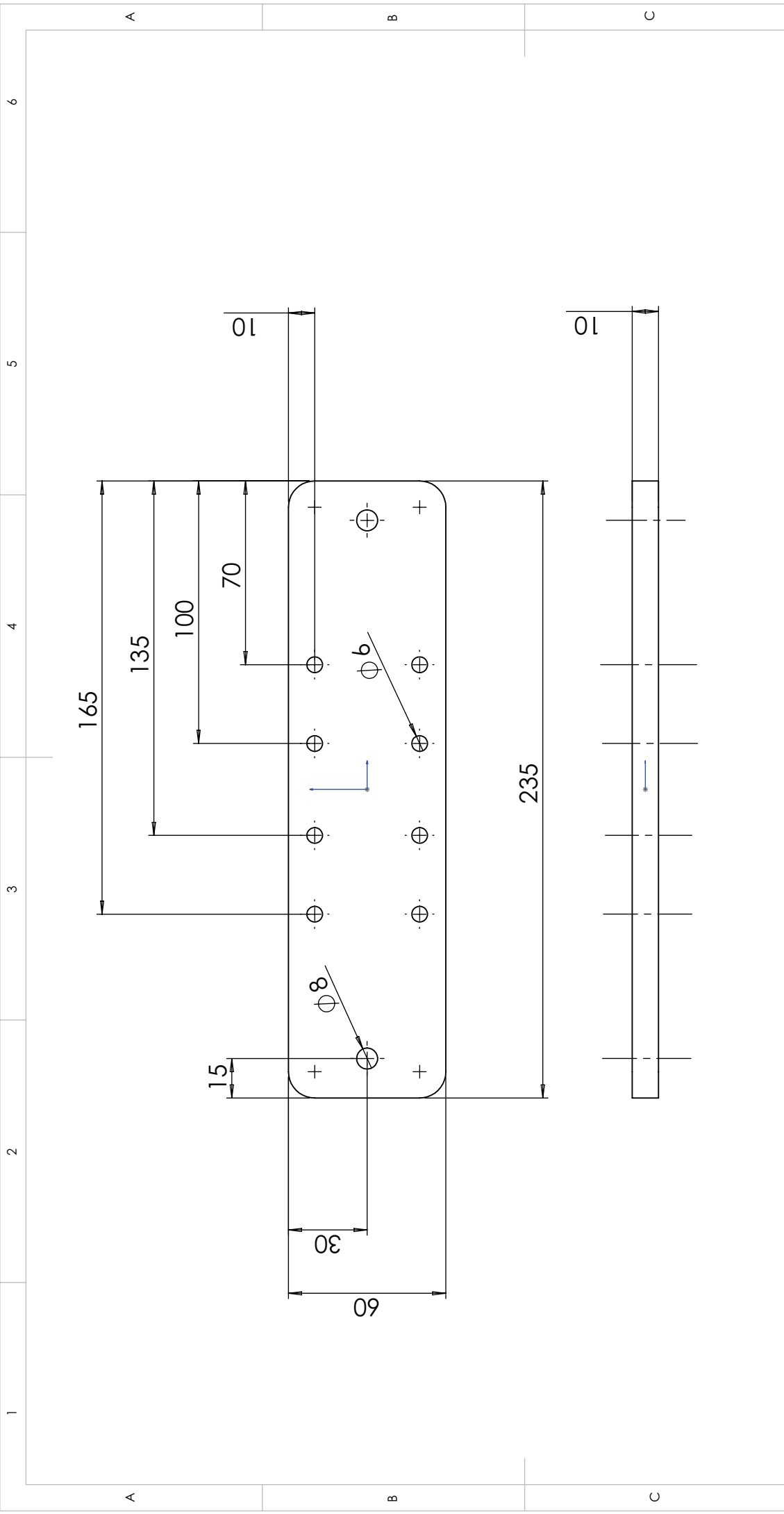
all undimensioned chamfers are 1x45°

DRAWN		NAME	SIGNATURE	DATE	general tolerance DIN 2768-f	MATERIAL:	WEIGHT:
		NICOLAI		18.05.2010		Angle steel	
		<p>© bei Übermittlung schutzfähiger Informationen behält sich KARLHEINZ NICOLAI KÜLTALSTR. 18 31093 LÜBBRECHTSEN - GERMANY alle Rechte für den Fall der Patentierung vor. Jede Verfertigung, Verbreitung oder Benutzung ohne schriftl. Zustimmung ist, bei uns, © in case of communicating patentable information all rights arising in the event of a patent grant remain with KARLHEINZ NICOLAI KÜLTALSTR. 18 31093 LÜBBRECHTSEN - GERMANY. All rights of disposition, particularly for reproduction, are reserved. The English translation is believed to be accurate. In case of discrepancies the german version shall govern.</p>					
		<p>Staber CARBON DRIVE</p> 					
		<p>TITLE:</p> <h2>Angle plate</h2>					
		<p>DWG NO.</p> <h1>A4</h1>					
		<p>SCALE: 1:5</p>					

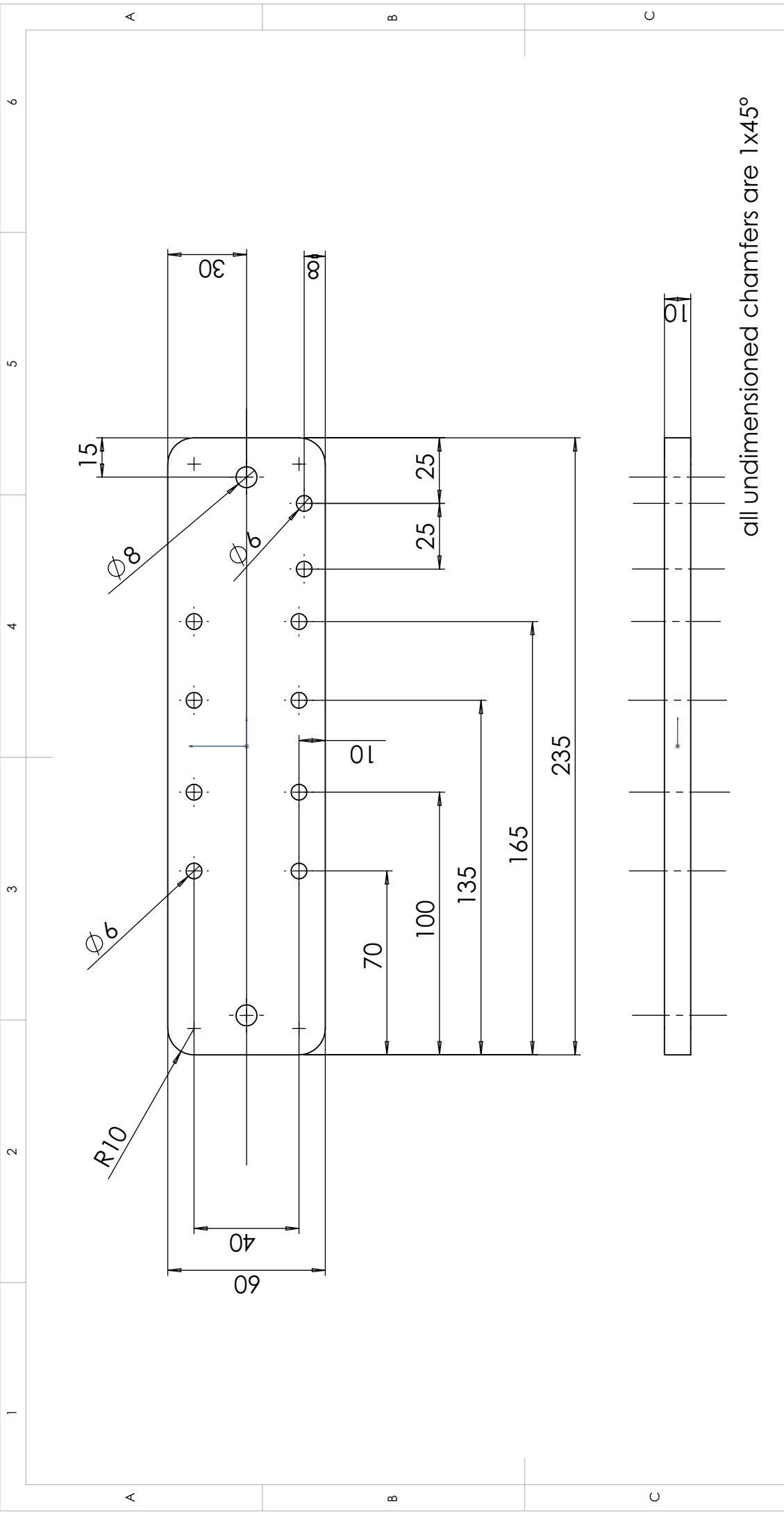
1

2

1 OF 1



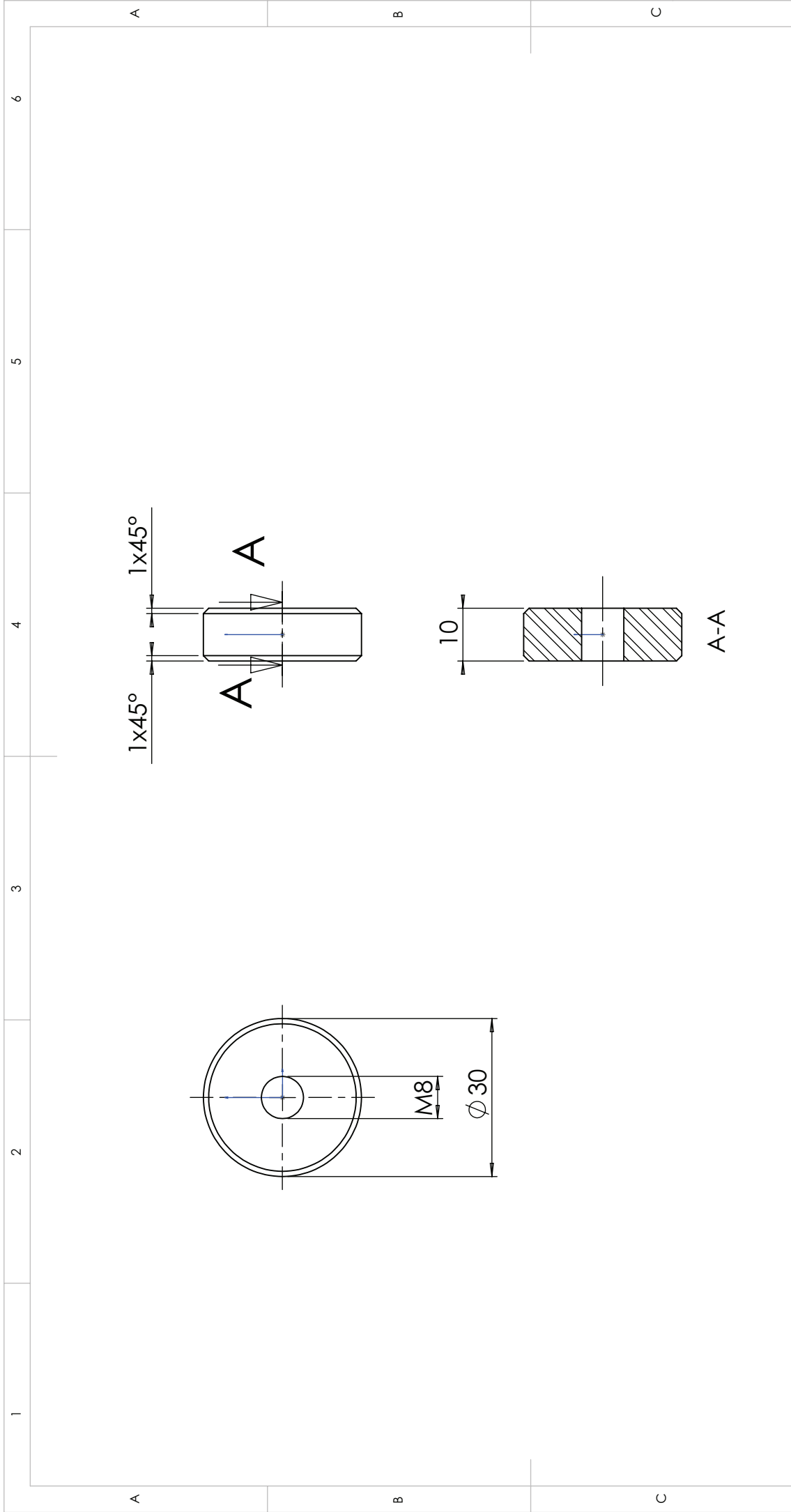
general tolerance DIN 2768-f		all edges deburred		MATERIAL: sheet steel		WEIGHT: 136.87 g	
DRAWN		SIGNATURE		DATE		TITLE:	
NICOLAI				18.05.2010		Footplate	
<p>© bei Übermittlung schutzfähiger Informationen behält sich KARLHEINZ NICOLAI KÜLTALSTR. 18 31093 LÜBBRECHTSEN - GERMANY alle Rechte für den Fall der Patentierung vor. © in case of communicating patentable information all rights arising in the event of a patent grant remain with KARLHEINZ NICOLAI KÜLTALSTR. 18 31093 LÜBBRECHTSEN - GERMANY. All rights of disposition, particularly for reproduction, are reserved. The English translation is believed to be accurate. In case of discrepancies the german version shall govern.</p>							
DWG NO.		SCALE: 1:5		A4		1 OF 1	
Spates CARBON DRIVE							



all undimensioned chamfers are 1x45°

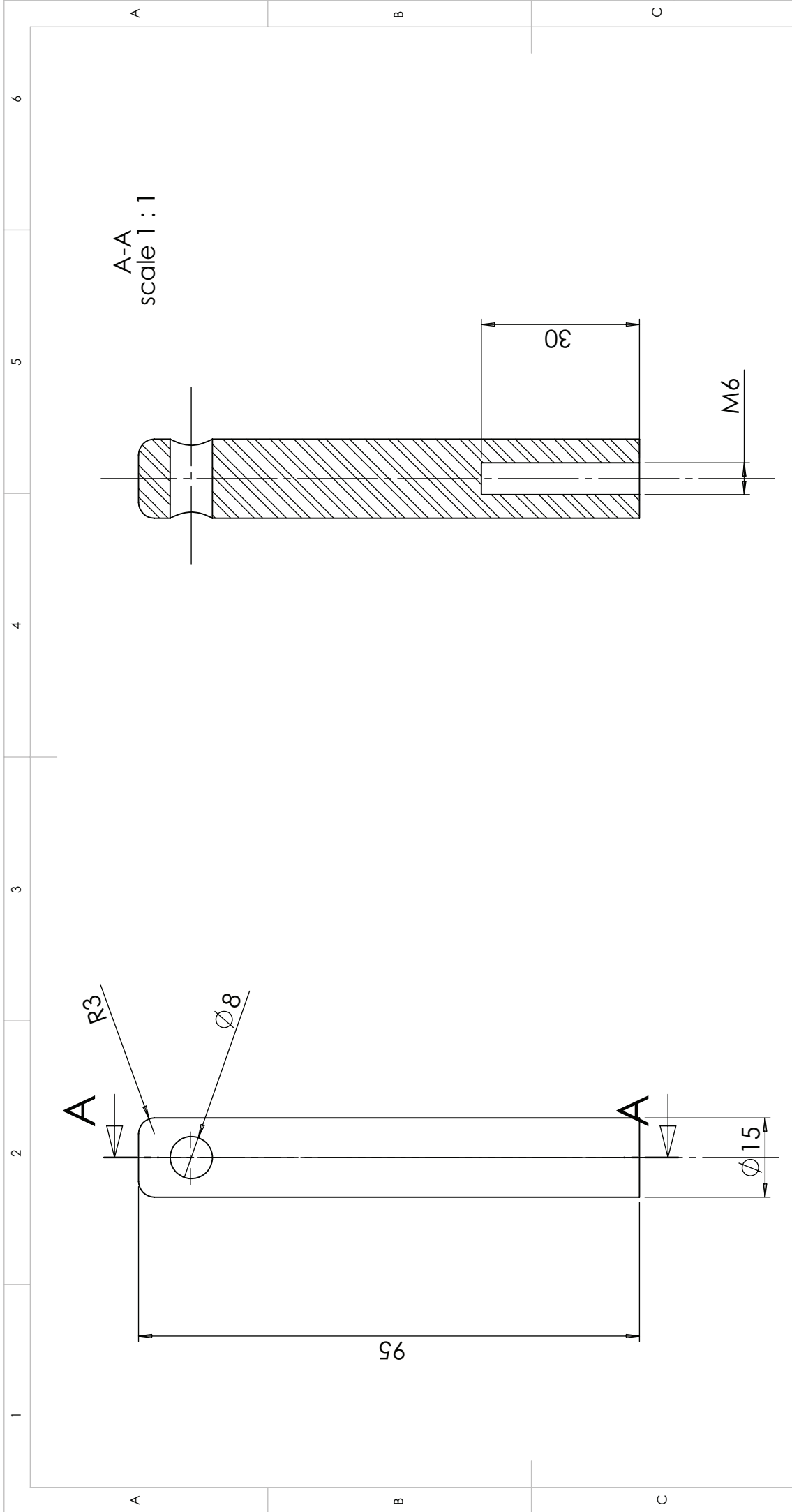
DRAWN		NAME	SIGNATURE	DATE	all edges deburred	general tolerance DIN 2768-f	MATERIAL: sheet steel	WEIGHT: 136.31 g
DRAWN		NICOLAI		18.05.2010				
<p>© bei Übermittlung schutzfähiger Informationen behält sich KARLHEINZ NICOLAI KÜLTALSTR. 18 31093 LUBBRECHTSEN - GERMANY alle Rechte für den Fall der Patentierung vor. © in case of communicating patentable information all rights arising in the event of a patent grant remain with KARLHEINZ NICOLAI KÜLTALSTR. 18 31093 LUBBRECHTSEN - GERMANY. All rights of disposition, particularly for reproduction, are reserved. The English translation is believed to be accurate. In case of discrepancies the german version shall govern.</p>					TITLE: Footplate		DWG NO. A4	
DRAWN					SCALE: 1:5		1 OF 1	



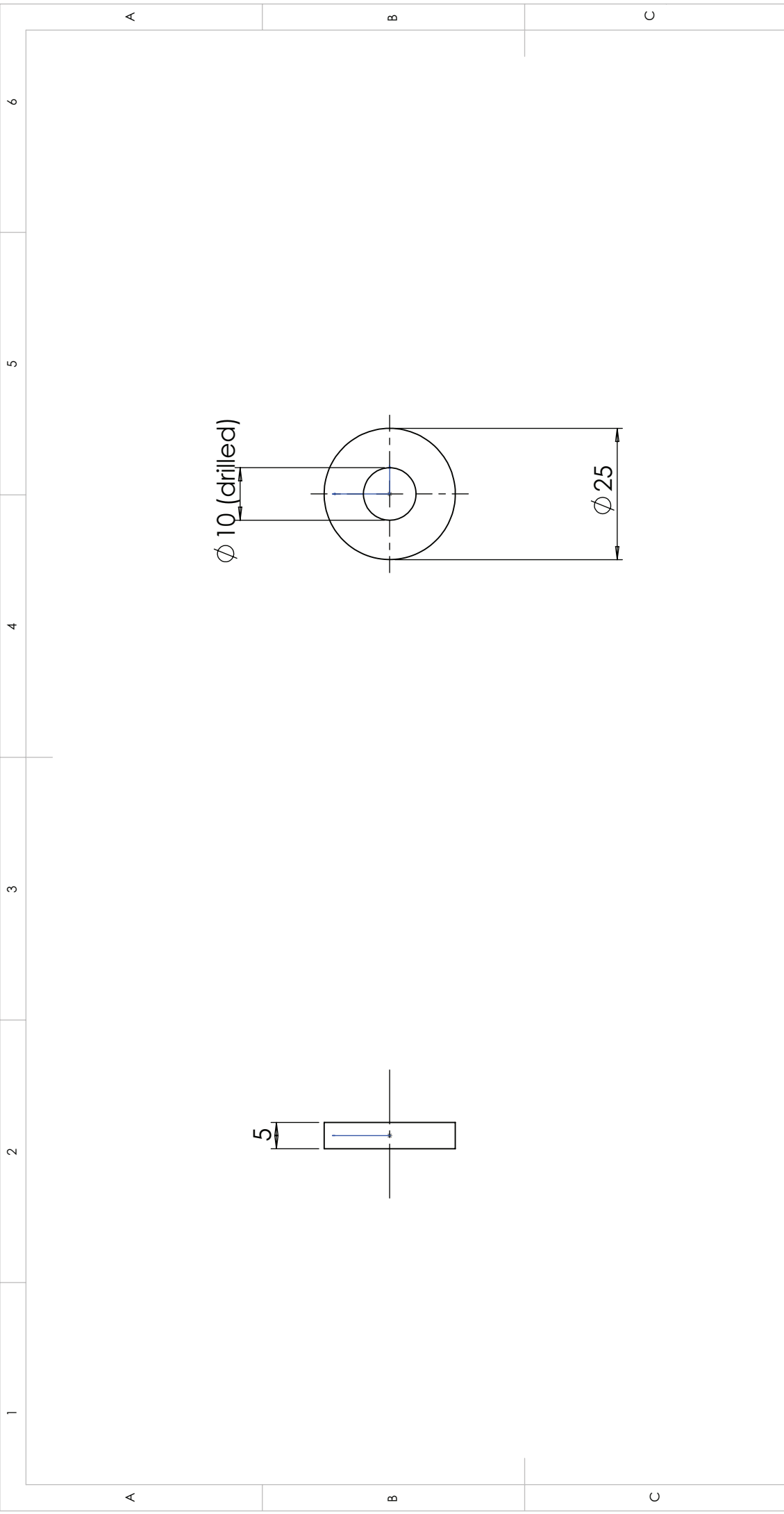


DRAWN		NAME	SIGNATURE	DATE	all edges deburred	general tolerance DIN 2768-f	MATERIAL:	alloy	WEIGHT:	6.47 g
DRAWN		NICOLAI		18.05.2010						
<p>© bei Übermittlung schutzfähiger Informationen behält sich KARLHEINZ NICOLAI KÜLTALSTR. 18 31093 LÜBBRECHTSEN - GERMANY alle Rechte für den Fall der Patentierung vor. In case of communicating patentable information all rights arising in the event of a patent grant remain with KARLHEINZ NICOLAI KÜLTALSTR. 18 31093 LÜBBRECHTSEN - GERMANY. All rights of disposition, particularly for patenting, are reserved. The English translation is believed to be accurate. In case of discrepancies the german version shall govern.</p>					TITLE:		Pad			
					DWG NO.		A4			
					SCALE:		1:1			
					1		2			

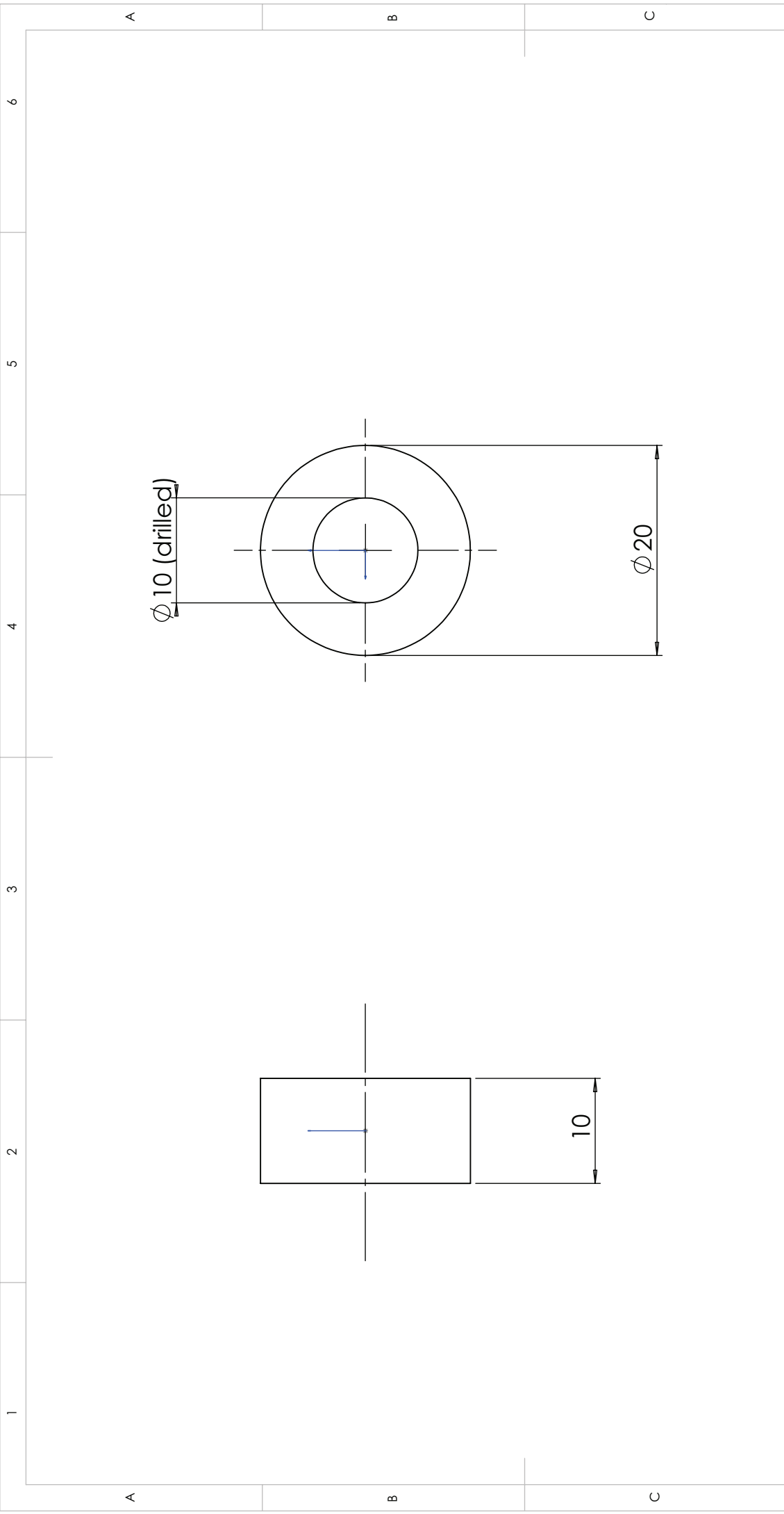




DRAWN		NAME	NICOLAI	SIGNATURE	DATE	18.05.2010	general tolerance DIN 2768-f		MATERIAL: Aluminium		WEIGHT: 15.13 g			
A		© bei Übermittlung schutzfähiger Informationen behält sich KARLHEINZ NICOLAI KÜLTALSTR. 18 31093 LUBBRECHTSEN - GERMANY alle Rechte für den Fall der Patentierung vor. © In case of communicating patentable information all rights arising in the event of a patent grant remain with KARLHEINZ NICOLAI KÜLTALSTR. 18 31093 LUBBRECHTSEN - GERMANY. All rights of disposition, particularly for patenting, are reserved. The German version shall prevail. The English translation is believed to be accurate. In case of discrepancies the german version shall govern.			TITLE:		all edges deburred		safety direction		DWG NO.		A4	
B		CARBON DRIVE		SCALE: 1:2		1 OF 1								
C														
D														

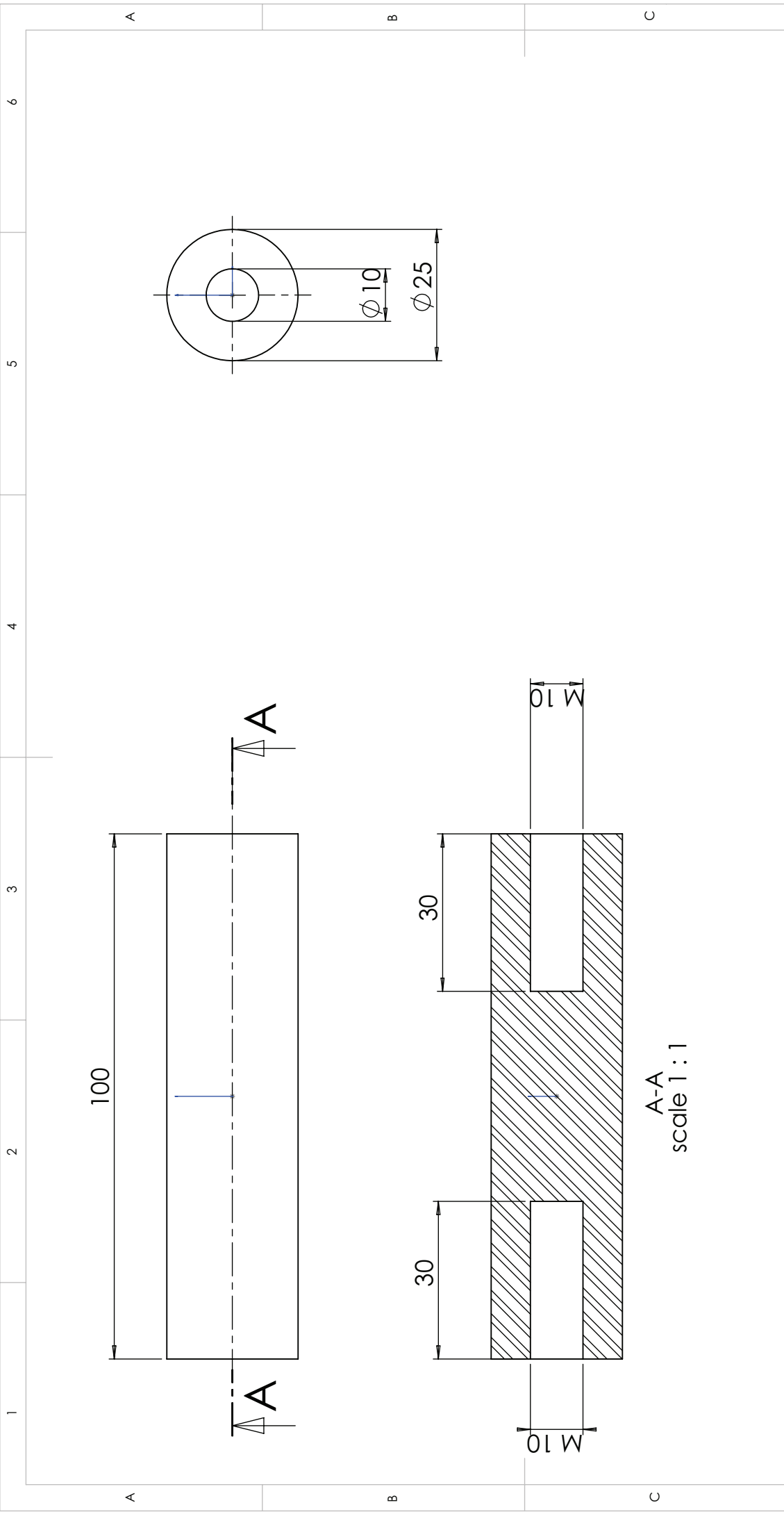


DRAWN		NAME	SIGNATURE	DATE	all edges deburred	general tolerance DIN 2768-f	MATERIAL:	WEIGHT:
	NICOLAI			18.05.2010			steel	
<p>© bei Übermittlung schutzfähiger Informationen behält sich KARLHEINZ NICOLAI KÜLTALSTR. 18 31093 LÜBBRECHTSEN - GERMANY alle Rechte für den Fall der Patentierung vor. © In case of communicating patentable information all rights arising in the event of a patent grant remain with KARLHEINZ NICOLAI KÜLTALSTR. 18 31093 LÜBBRECHTSEN - GERMANY. All rights of disposition, particularly for patenting, are reserved. The English translation is believed to be accurate. In case of discrepancies the german version shall govern.</p>					TITLE:			
					Spacer 5mm			
					DWG NO.			A4
					SCALE:			1 OF 1
					SCALE:			1:1

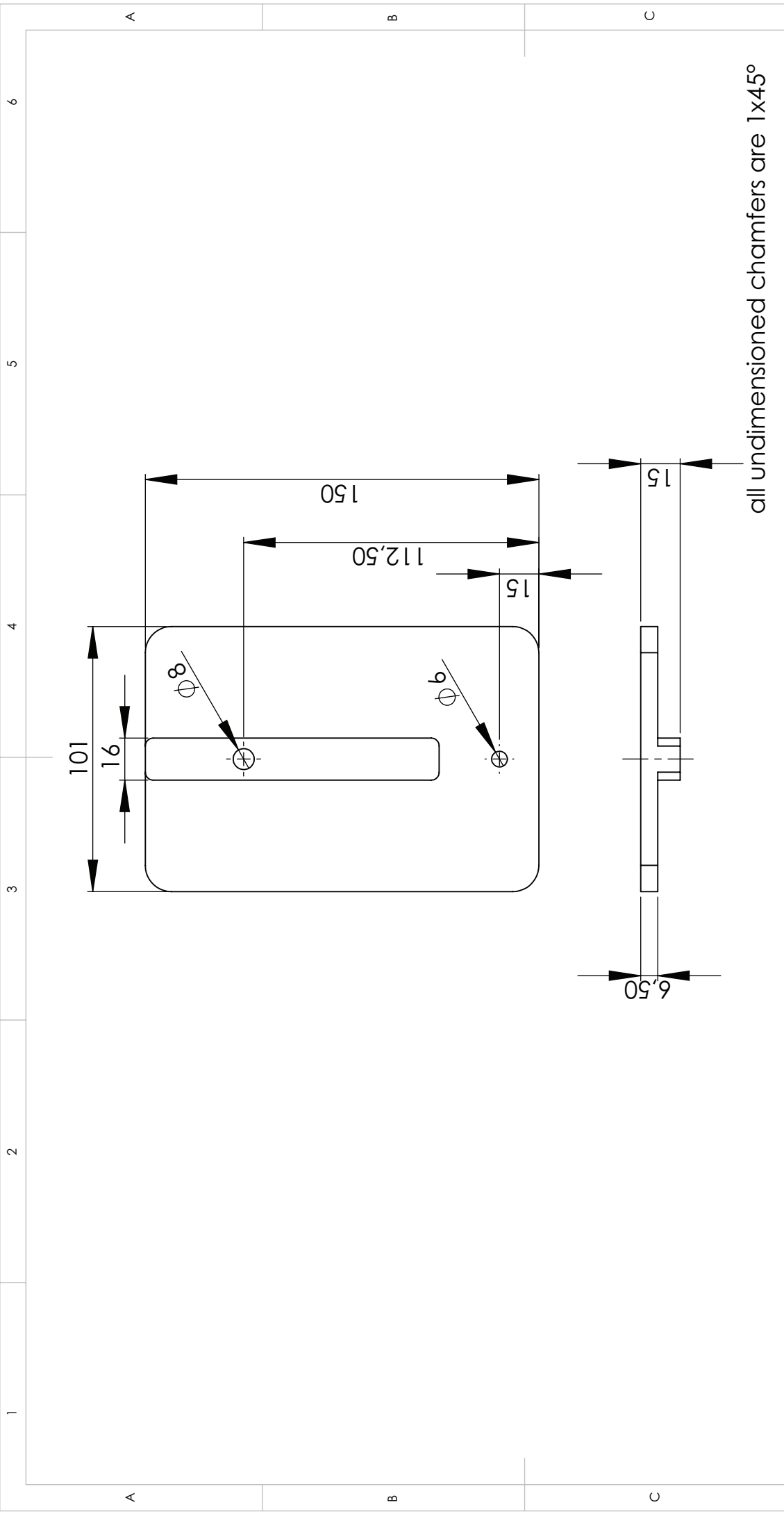


DRAWN		NAME	SIGNATURE	DATE	all edges deburred	general tolerance DIN 2768-f	MATERIAL: steel	WEIGHT:
DRAWN		NICOLAI		18.05.2010				
<p>© bei Übermittlung schutzfähiger Informationen behält sich KARLHEINZ NICOLAI KÜLTALSTR. 18 31093 LÜBBRECHTSEN - GERMANY alle Rechte für den Fall der Patentierung vor. © In case of communicating patentable information all rights arising in the event of a patent grant remain with KARLHEINZ NICOLAI KÜLTALSTR. 18 31093 LÜBBRECHTSEN - GERMANY. All rights of disposition, particularly for the German version shall be reserved. The English translation is believed to be accurate. In case of discrepancies the german version shall govern.</p>					TITLE: Spacer 10 mm		DWG NO. A4	
					SCALE: 2:1		1 OF 1	



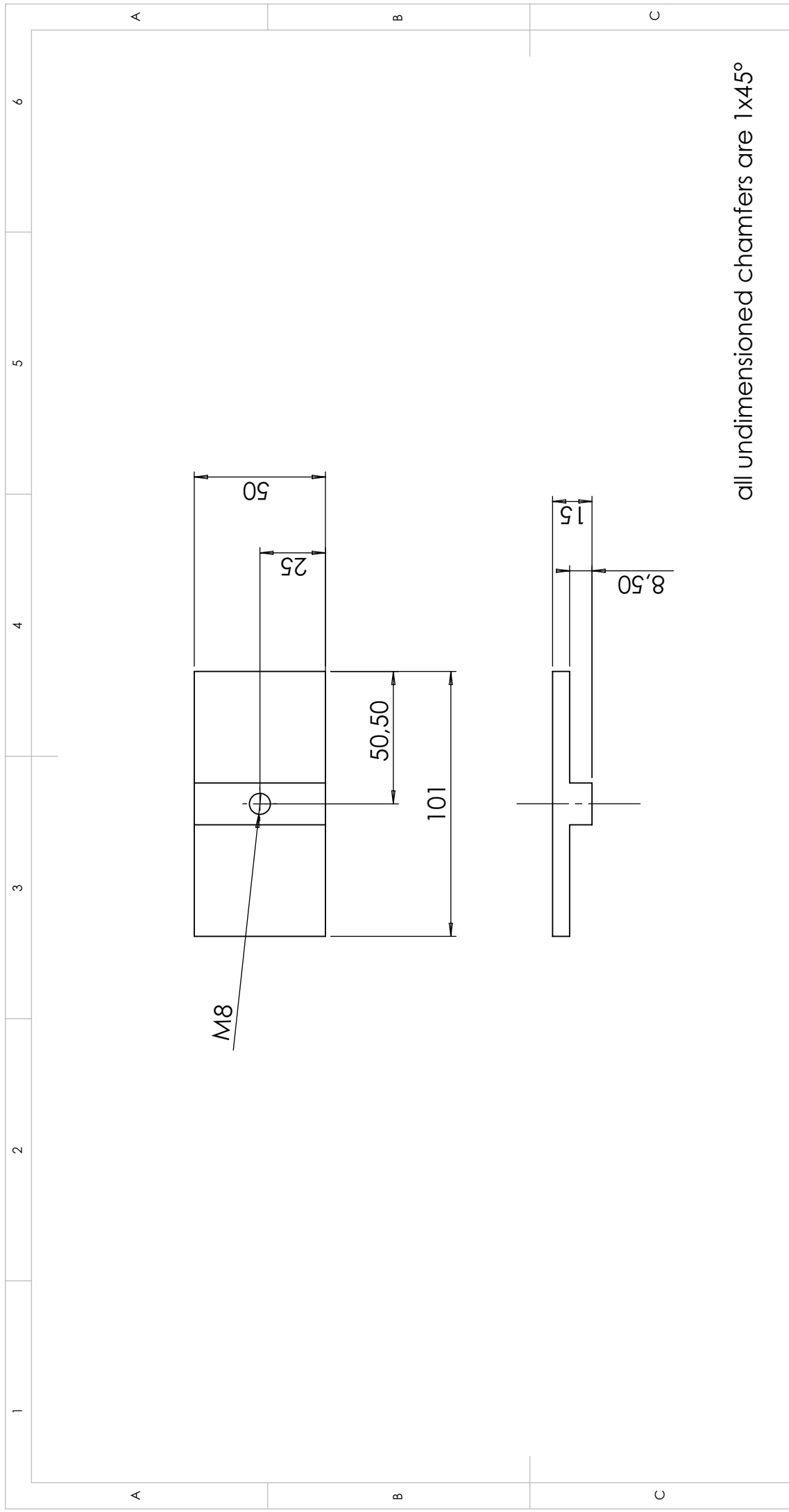


DRAWN		NAME	SIGNATURE	DATE	general tolerance DIN 2768-f	MATERIAL:	WEIGHT:
		NICOLAI		18.05.2010	all edges deburred	Stahl	
<p>© bei Übermittlung schutzfähiger Informationen behält sich KARLHEINZ NICOLAI KÜLTALSTR. 18 31093 LÜBBRECHTSEN - GERMANY alle Rechte für den Fall der Patentierung vor. © In case of communicating patentable information all rights arising in the event of a patent grant remain with KARLHEINZ NICOLAI KÜLTALSTR. 18 31093 LÜBBRECHTSEN - GERMANY. All rights of disposition, particularly for reproduction, are reserved. The accuracy of the The English translation is believed to be accurate. In case of discrepancies the german version shall govern.</p>					TITLE:		
					Pivot		
					DWG NO.		
					A4		
					SCALE: 1:2		
					1 OF 1		



all undimensioned chamfers are 1x45°

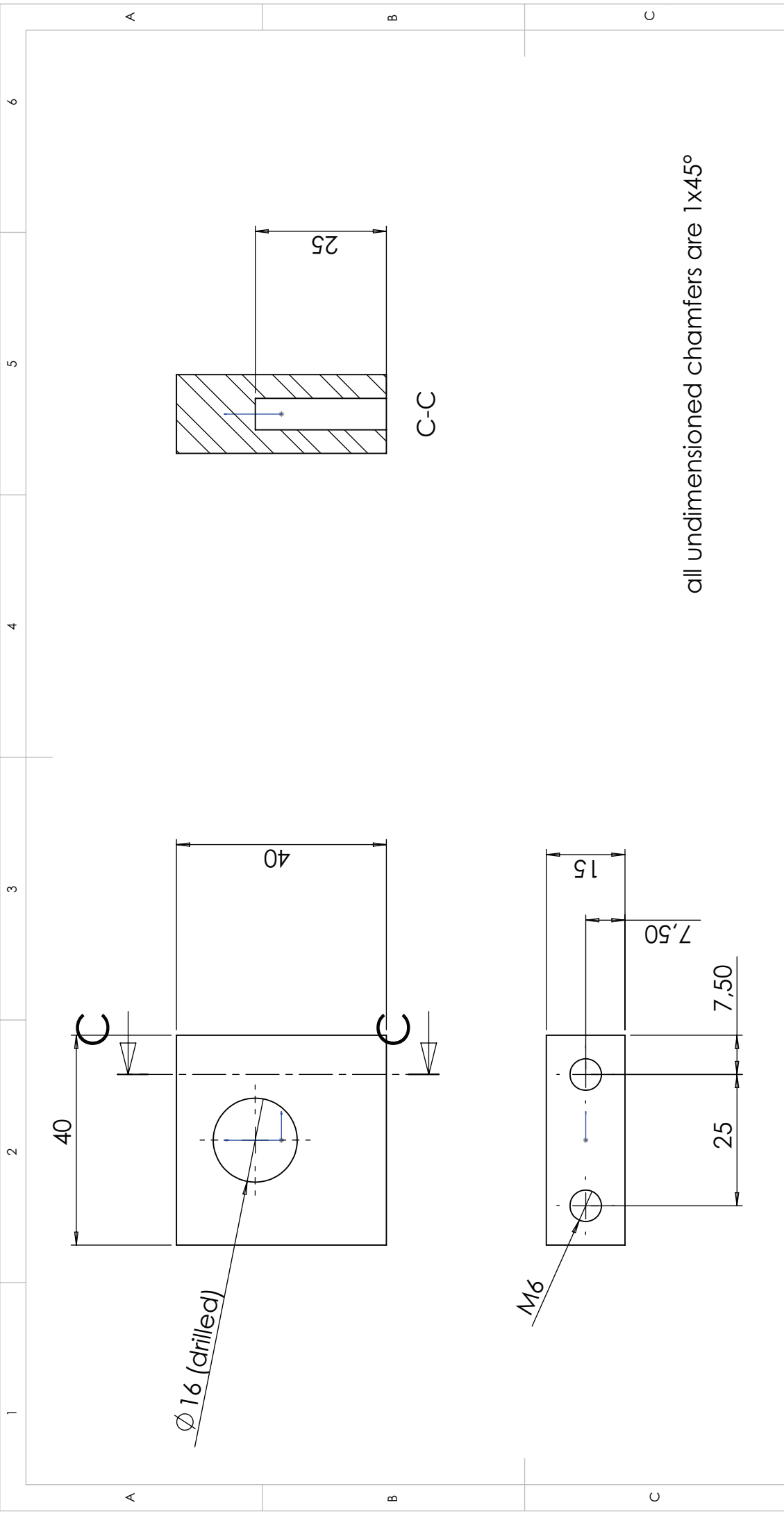
DRAWN		NAME	SIGNATURE	DATE	all edges deburred	general tolerance DIN 2768-f	MATERIAL: steel	WEIGHT:
DRAWN		NICOLAI		18.05.2010				
<p>© bei Übermittlung schutzfähiger Informationen behält sich KARLHEINZ NICOLAI KÜLTALSTR. 18 31093 LUBBRECHTSEN - GERMANY alle Rechte für den Fall der Patentierung vor. © in case of communicating patentable information all rights arising in the event of a patent grant remain with KARLHEINZ NICOLAI KÜLTALSTR. 18 31093 LUBBRECHTSEN - GERMANY. All rights of disposition, particularly for reproduction, are reserved. The English translation is believed to be accurate. In case of discrepancies the german version shall govern.</p>					TITLE: Indicating calliper slide			
<p>Spindel CARBON DRIVE</p>					DWG NO. A4			
					SCALE: 1:2			
					1 OF 1			



all undimensioned chamfers are 1x45°

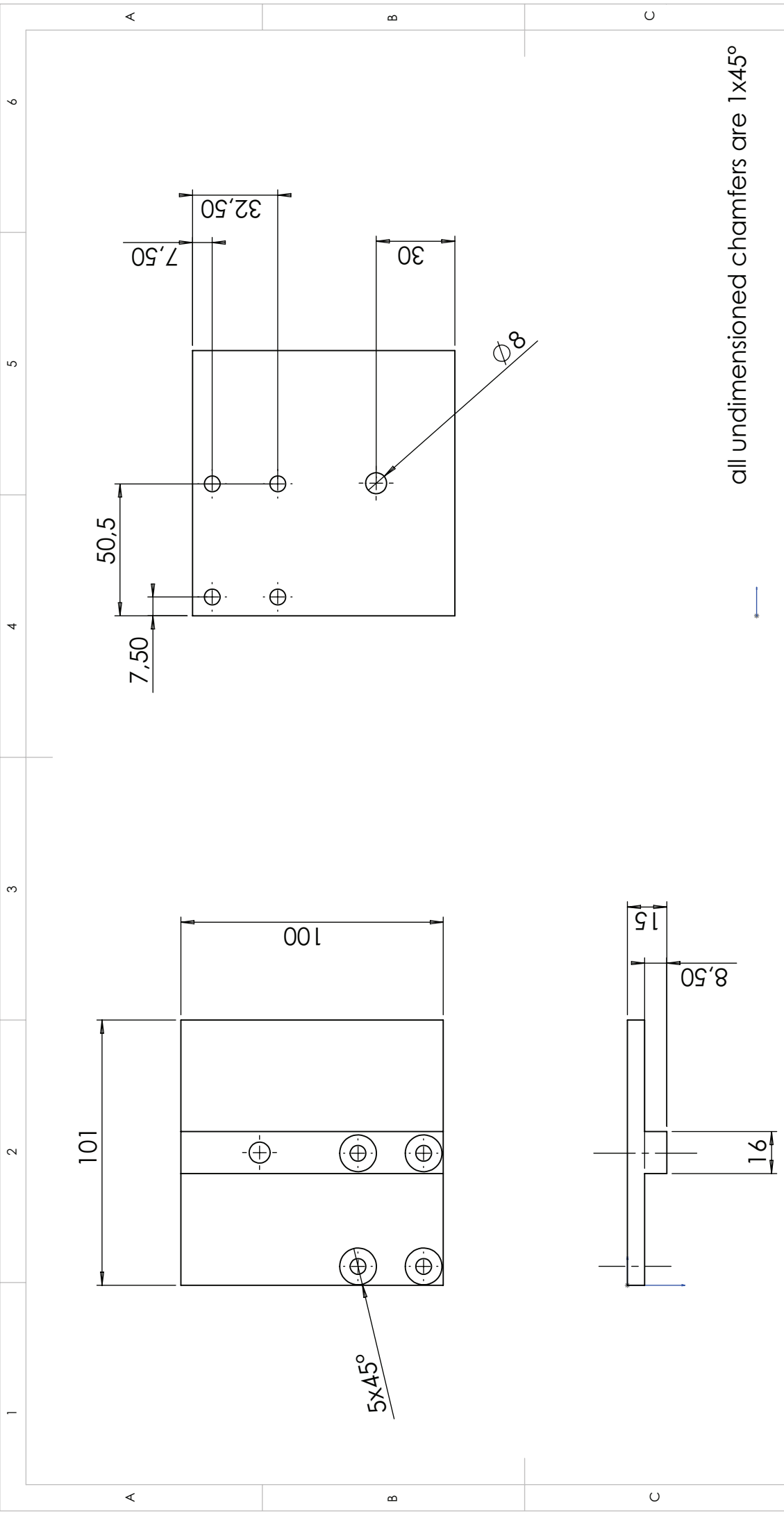
DRAWN		NAME	SIGNATURE	DATE	all edges deburred	general tolerance DIN 2768-f	MATERIAL: alloy	WEIGHT: 104.95 g
		NICOLAI		18.05.2010				
<p>© bei Übermittlung schutzfähiger Informationen behält sich KARLHEINZ NICOLAI KÜLTALSTR. 18 31093 LÜBBRECHTSEN - GERMANY alle Rechte für den Fall der Patentierung vor. © in case of communicating patentable information all rights arising in the event of a patent grant remain with KARLHEINZ NICOLAI KÜLTALSTR. 18 31093 LÜBBRECHTSEN - GERMANY. All rights of disposition, particularly for translation, are reserved. The English translation is believed to be accurate. In case of discrepancies the german version shall govern.</p>					TITLE: clamping			
					DWG NO.		A4	
					SCALE: 1:2		1 OF 1	






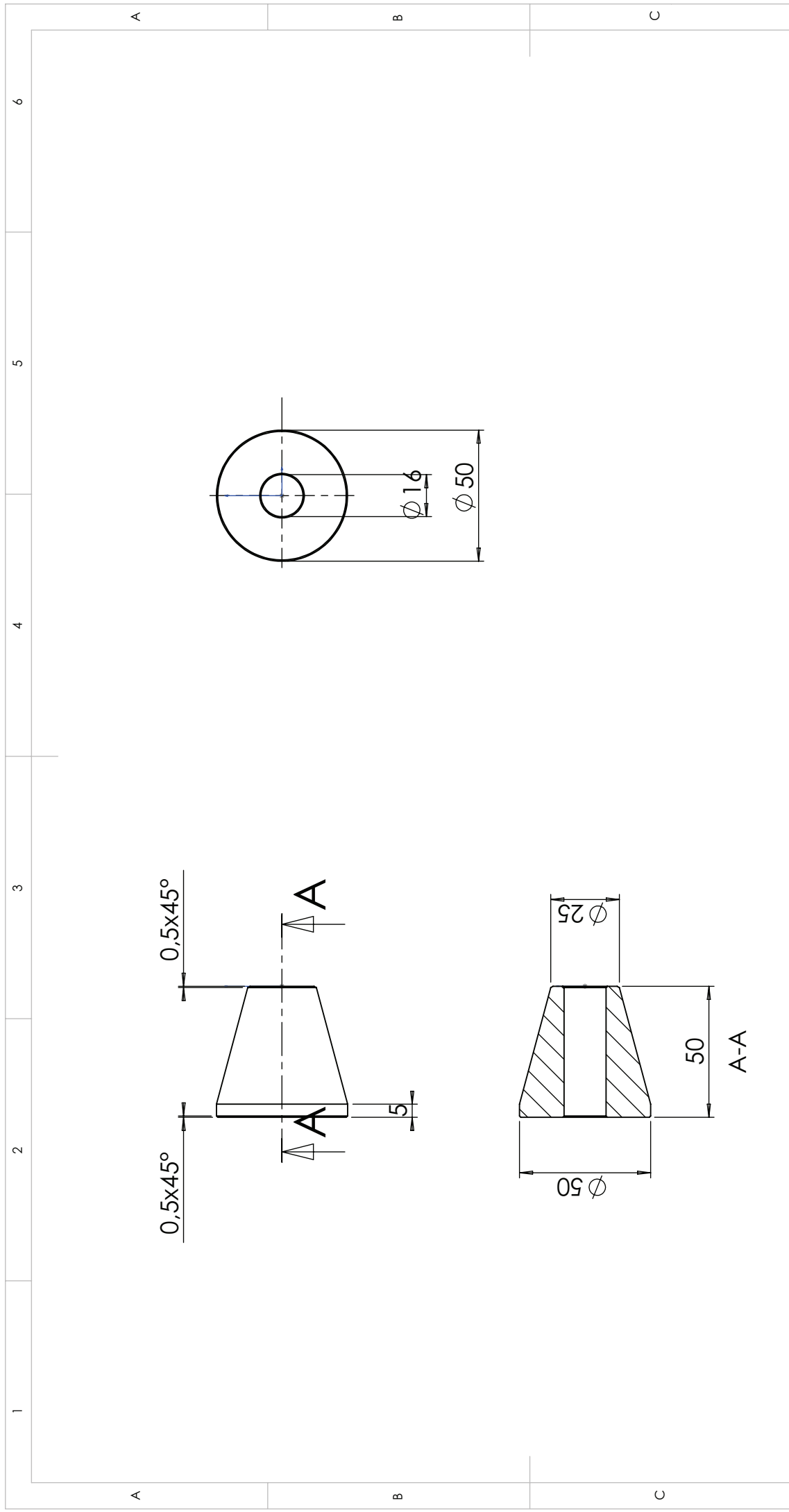
DRAWN		NAME	SIGNATURE	DATE	general tolerance DIN 2768-f	MATERIAL: alloy	WEIGHT: 19.57 g
DRAWN		NICOLAI		18.05.2010			
<p>© bei Übermittlung schutzfähiger Informationen behält sich KARLHEINZ NICOLAI KÜLTALSTR. 18 31093 LÜBBRECHTSEN - GERMANY alle Rechte für den Fall der Patentierung vor. © in case of communicating patentable information all rights arising in the event of a patent grant remain with KARLHEINZ NICOLAI KÜLTALSTR. 18 31093 LÜBBRECHTSEN - GERMANY. All rights of disposition, particularly for reproduction, are reserved. The English translation is believed to be accurate. In case of discrepancies the german version shall govern.</p>					TITLE:		
					Joint bearing carrier		
					DWG NO.		
					SCALE: 1:1		
					A4		
					1 OF 1		



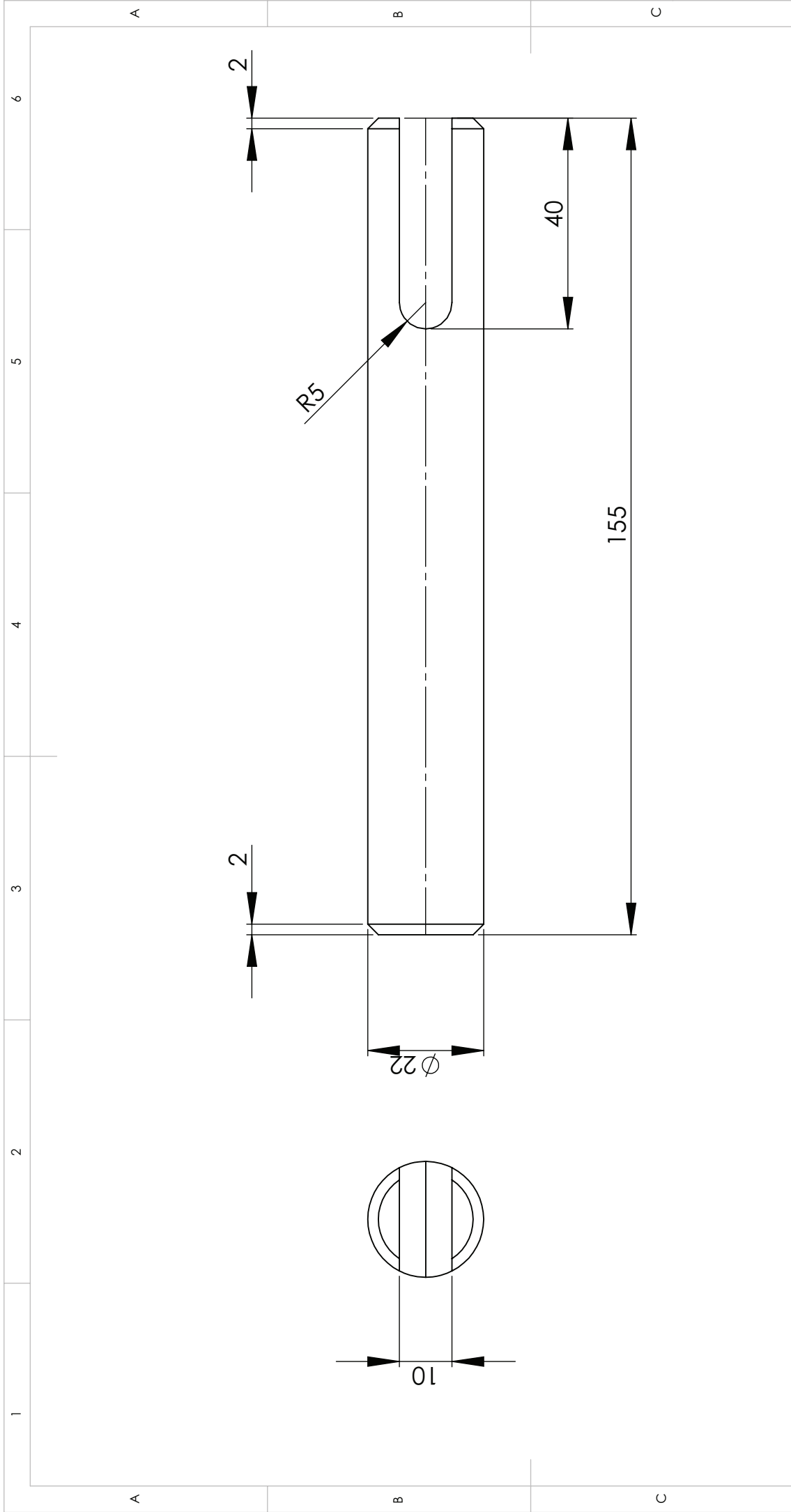



all undimensioned chamfers are 1x45°

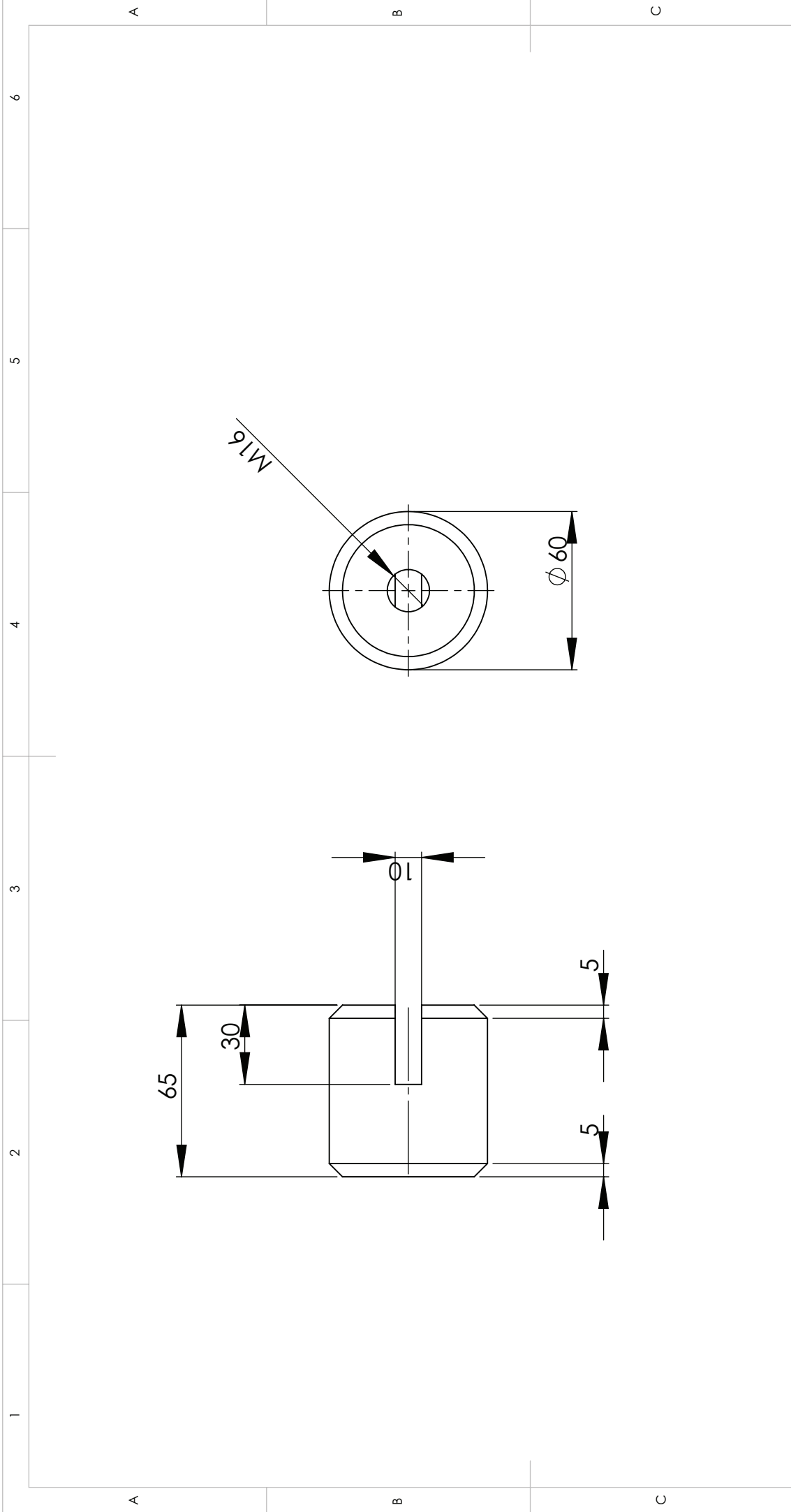
DRAWN		NAME	SIGNATURE	DATE	all edges deburred	general tolerance DIN 2768-f	MATERIAL:	alloy	WEIGHT:	206.30 g
DRAWN		NICOLAI		18.05.2010						
TITLE: head tube slide										
DWG NO. A4										
SCALE: 1:2										
<p>© bei Übermittlung schutzfähiger Informationen behält sich KARLHEINZ NICOLAI KÜLTALSTR. 18 31093 LÜBBRECHTSEN - GERMANY alle Rechte für den Fall der Patentierung vor. © in case of communicating patentable information all rights arising in the event of a patent grant remain with KARLHEINZ NICOLAI KÜLTALSTR. 18 31093 LÜBBRECHTSEN - GERMANY. All rights of disposition, particularly for reproduction, are reserved. The English translation is believed to be accurate. In case of discrepancies the german version shall govern.</p> 										



DRAWN		NAME	SIGNATURE	DATE	all edges deburred	general tolerance DIN 2768-f	MATERIAL:	steel	WEIGHT:	52.31 g
DRAWN		NICOLAI		18.05.2010						
TITLE:										
Head tube cone										
DWG NO.										
A4										
SCALE: 1:2										
<p>© bei Übermittlung schutzfähiger Informationen behält sich KARLHEINZ NICOLAI KÜLTALSTR. 18 31093 LÜBBRECHTSEN - GERMANY alle Rechte für den Fall der Patentierung vor. © in case of communicating patentable information all rights arising in the event of a patent grant remain with KARLHEINZ NICOLAI KÜLTALSTR. 18 31093 LÜBBRECHTSEN - GERMANY. All rights of disposition, particularly for reproduction, are reserved. The German version shall govern. The English translation is believed to be accurate. In case of discrepancies the german version shall govern.</p>										

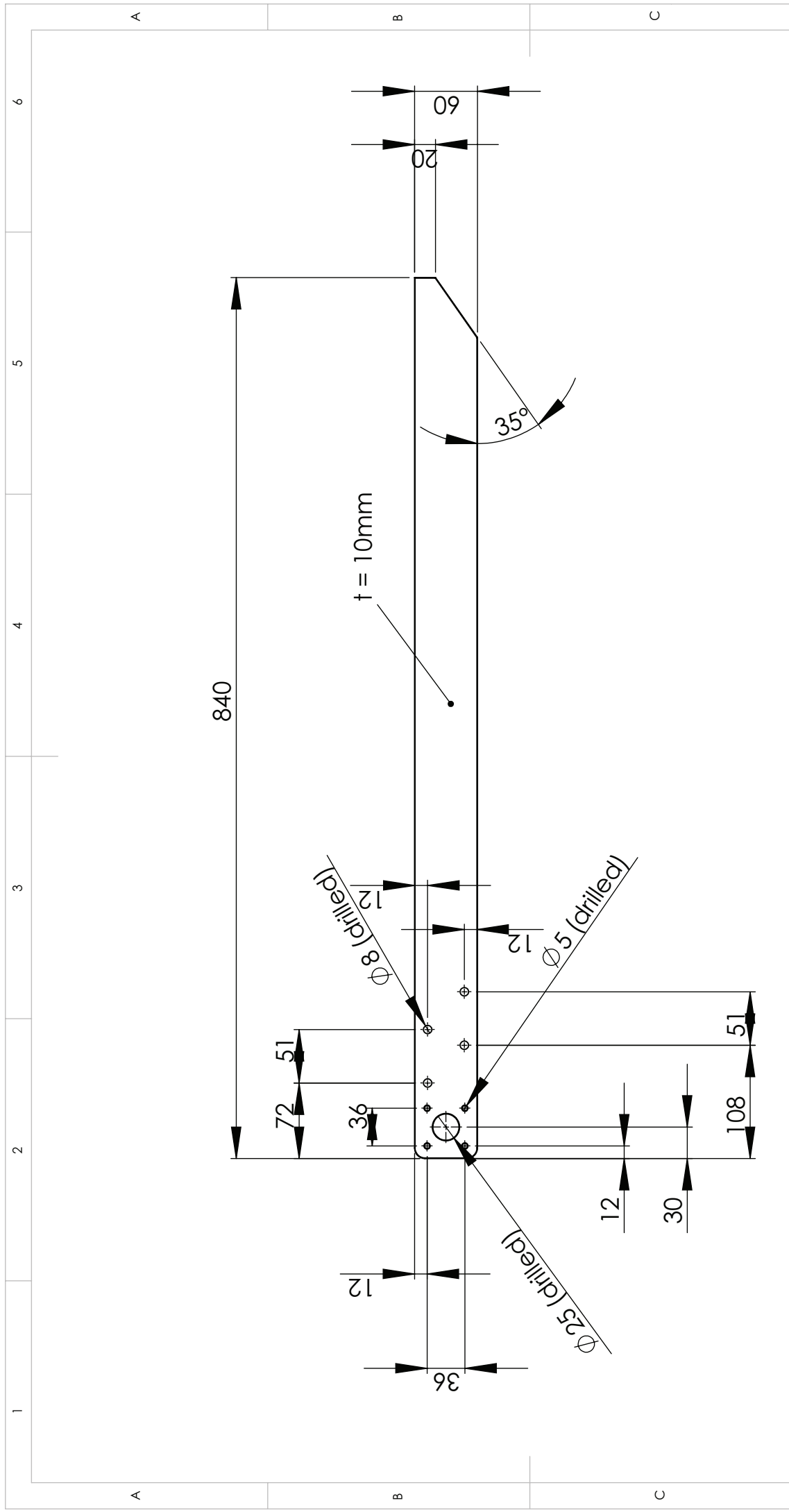



DRAWN		NAME	SIGNATURE	DATE	general tolerance DIN 2768-f	all edges deburred	MATERIAL:	steel	WEIGHT:
DRAWN		NICOLAI		18.05.2010					
TITLE:					Lever grip				
DWG NO.					A4				
SCALE:					1:2				
<p>© bei Übermittlung schutzfähiger Informationen behält sich KARLHEINZ NICOLAI KÜLTALSTR. 18 31093 LÜBBRECHTSEN - GERMANY alle Rechte für den Fall der Patentierung vor. © in case of communicating patentable information all rights arising in the event of a patent grant remain with KARLHEINZ NICOLAI KÜLTALSTR. 18 31093 LÜBBRECHTSEN - GERMANY. All rights of disposition, particularly for reproduction, are reserved. The English translation is believed to be accurate. In case of discrepancies the german version shall govern.</p>									

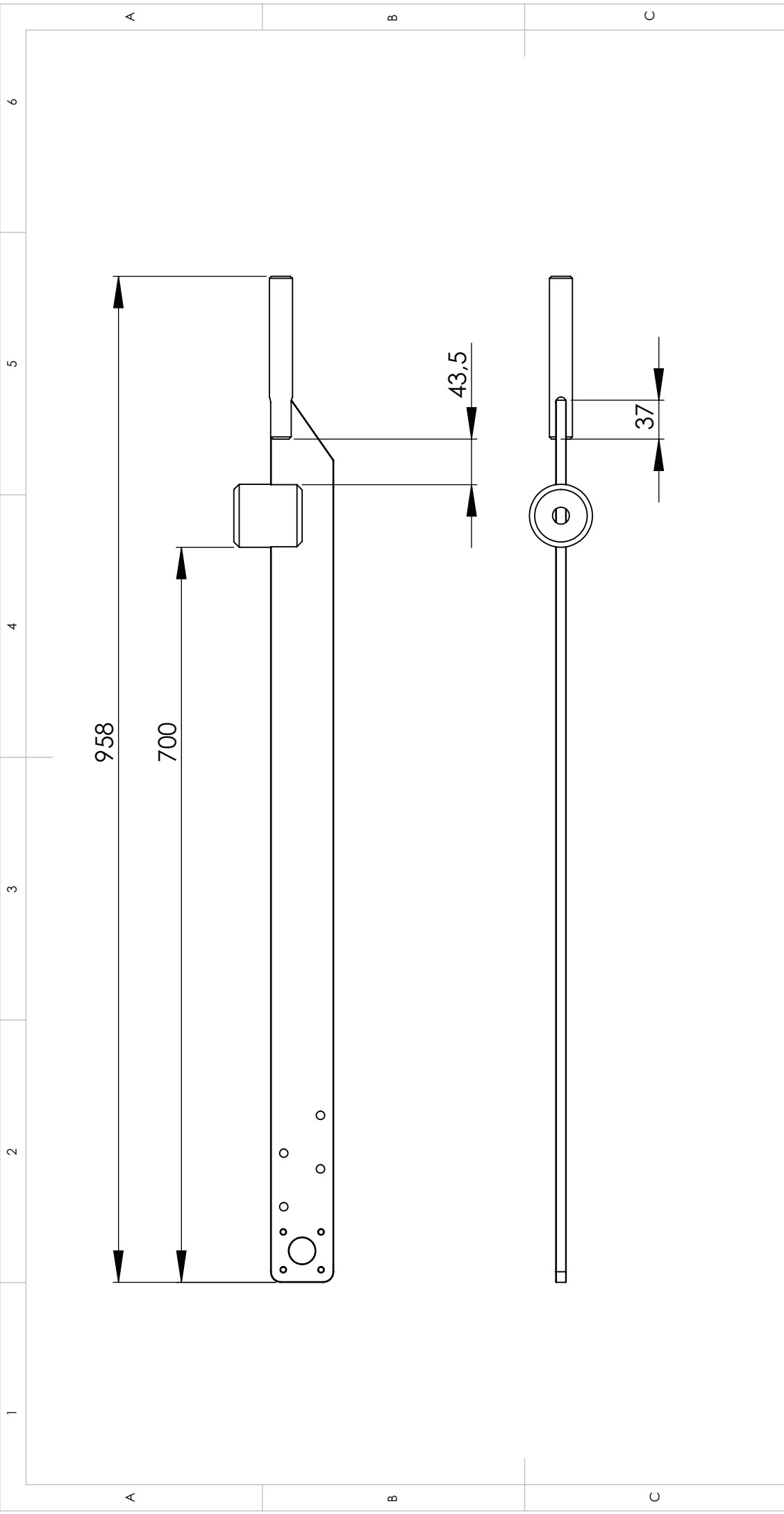


DRAWN		NAME	SIGNATURE	DATE	general tolerance DIN 2768-f		MATERIAL:		WEIGHT:	
DRAWN		NICOLAI		18.05.2010			steel			
<p>© bei Übermittlung schutzfähiger Informationen behält sich KARLHEINZ NICOLAI KÜLTALSTR. 18 31093 LÜBBRECHTSEN - GERMANY alle Rechte für den Fall der Patentierung vor. © In case of communicating patentable information all rights arising in the event of a patent grant remain with KARLHEINZ NICOLAI KÜLTALSTR. 18 31093 LÜBBRECHTSEN - GERMANY. All rights of disposition, particularly for reproduction, are reserved. The English translation is believed to be accurate. In case of discrepancies the german version shall govern.</p>					TITLE:		Lever weight			
					DRAWN		NICOLAI		18.05.2010	
					all edges deburred		DWG NO.		A4	
							SCALE:		1:2	
							1 OF 1			



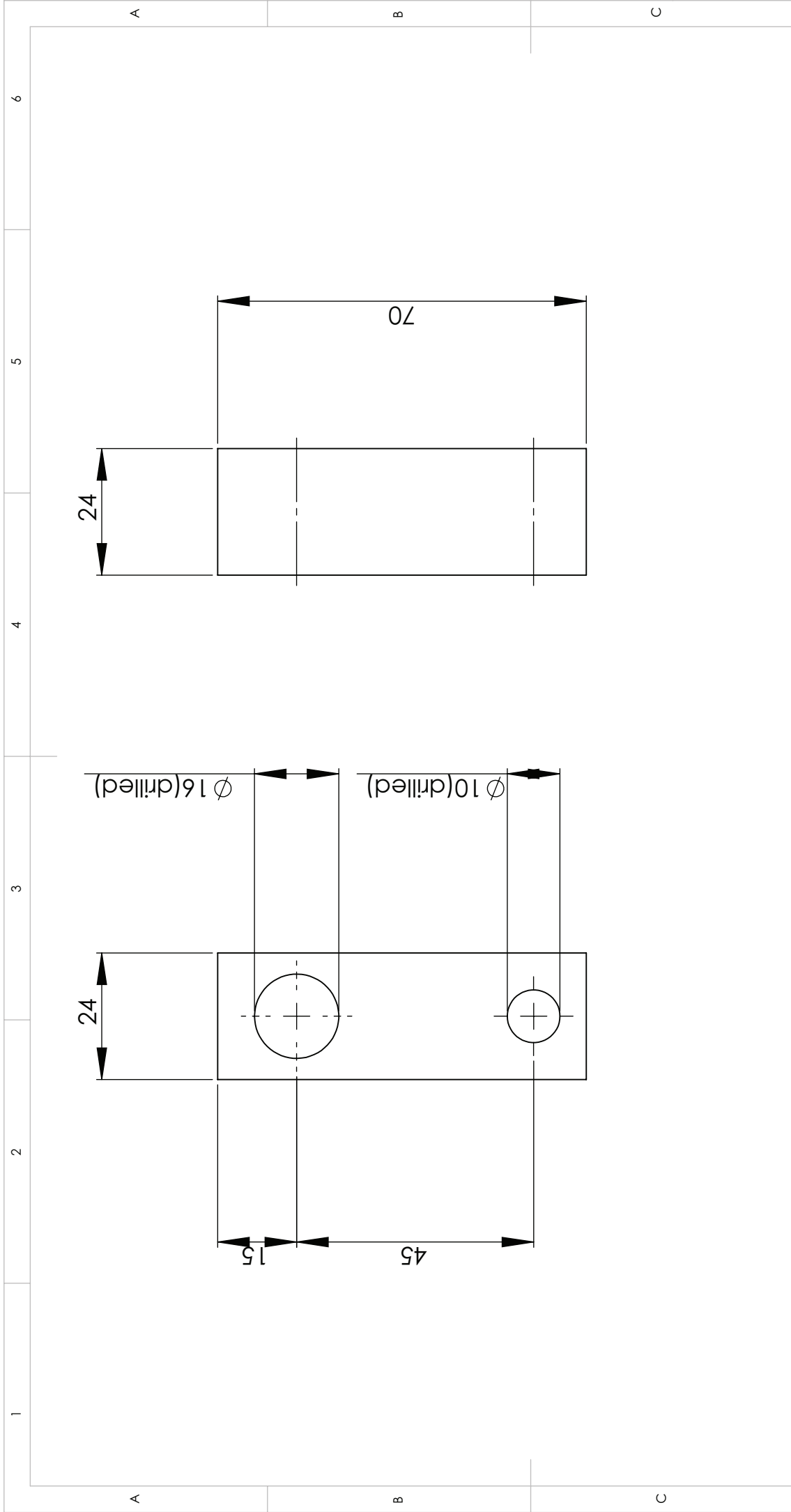


DRAWN		NAME	SIGNATURE	DATE	general tolerance DIN 2768-f	MATERIAL: steel	WEIGHT:
DRAWN		NICOLAI		18.05.2010			
<p>© bei Übermittlung schutzfähiger Informationen behält sich KARLHEINZ NICOLAI KÜLTALSTR. 18 31093 LÜBBRECHTSEN - GERMANY alle Rechte für den Fall der Patentierung vor. Jede Verfertigung, Verbreitung oder Benutzung ohne schriftliche Genehmigung ist ausdrücklich untersagt, bei uns. © In case of communicating patentable information all rights arising in the event of a patent grant remain with KARLHEINZ NICOLAI KÜLTALSTR. 18 31093 LÜBBRECHTSEN - GERMANY. All rights of disposition, particularly for patenting, are reserved. Any use without our written consent is expressly prohibited. The English translation is believed to be accurate. In case of discrepancies the german version shall govern.</p>					TITLE: Lever		
					DWG NO.		
A4					SCALE: 1:10		
1					2		
1					1 OF 1		



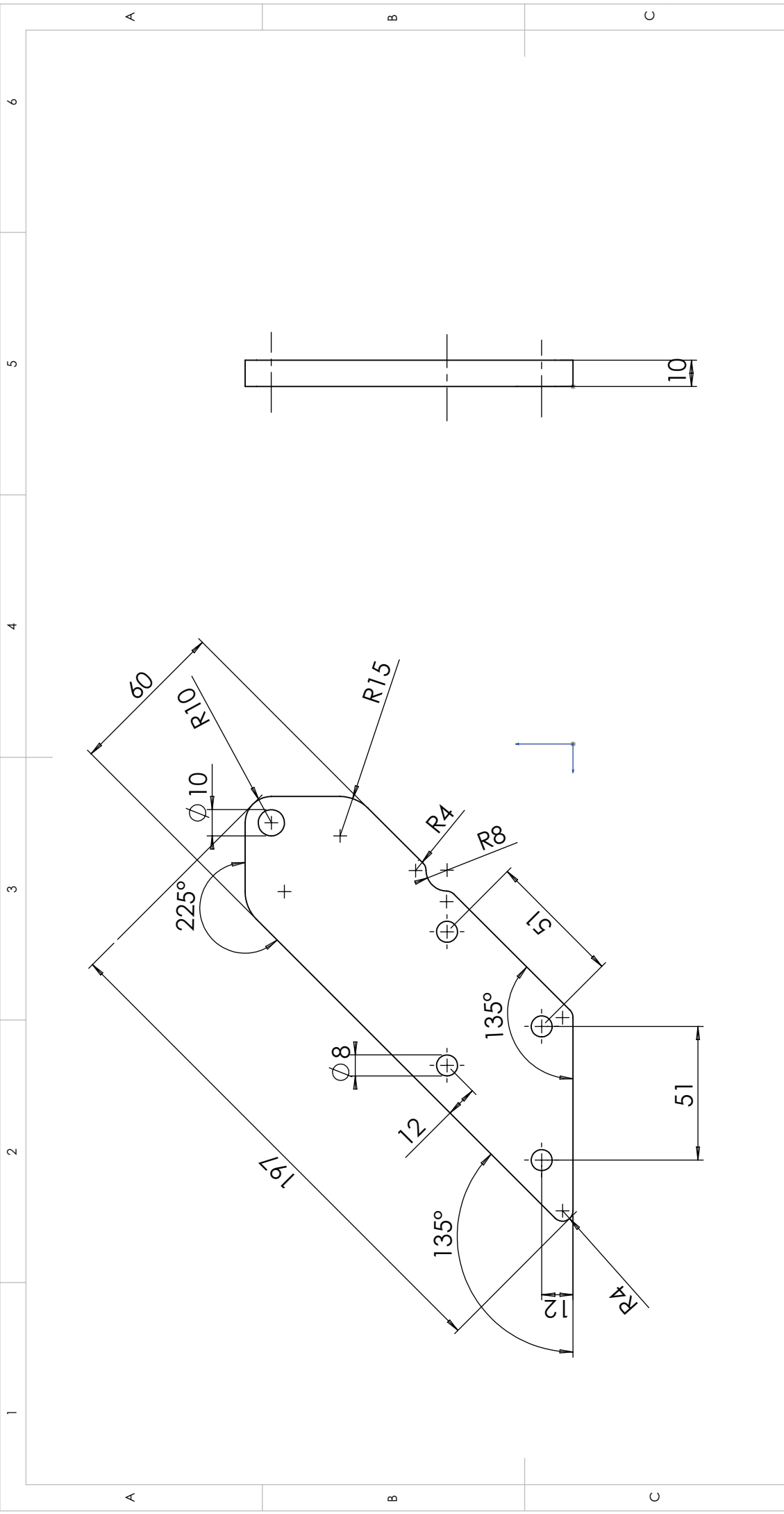
DRAWN		NAME	SIGNATURE	DATE	general tolerance DIN 2768-f	MATERIAL:	WEIGHT:
		NICOLAI		18.05.2010			
<p>© bei Übermittlung schutzfähiger Informationen behält sich KARLHEINZ NICOLAI KÜLTALSTR. 18 31093 LÜBBRECHTSEN - GERMANY alle Rechte für den Fall der Patentierung vor. Jede Verflechtung ist ausdrücklich untersagt, bei uns. © In case of communicating patentable information all rights arising in the event of a patent grant remain with KARLHEINZ NICOLAI KÜLTALSTR. 18 31093 LÜBBRECHTSEN - GERMANY. All rights of disposition, particularly for patenting, are expressly reserved. The English translation is believed to be accurate. In case of discrepancies the german version shall govern.</p>					TITLE:		
					Lever system		
					DWG NO.		
					A4		
					1 OF 1		
					SCALE: 1:10		




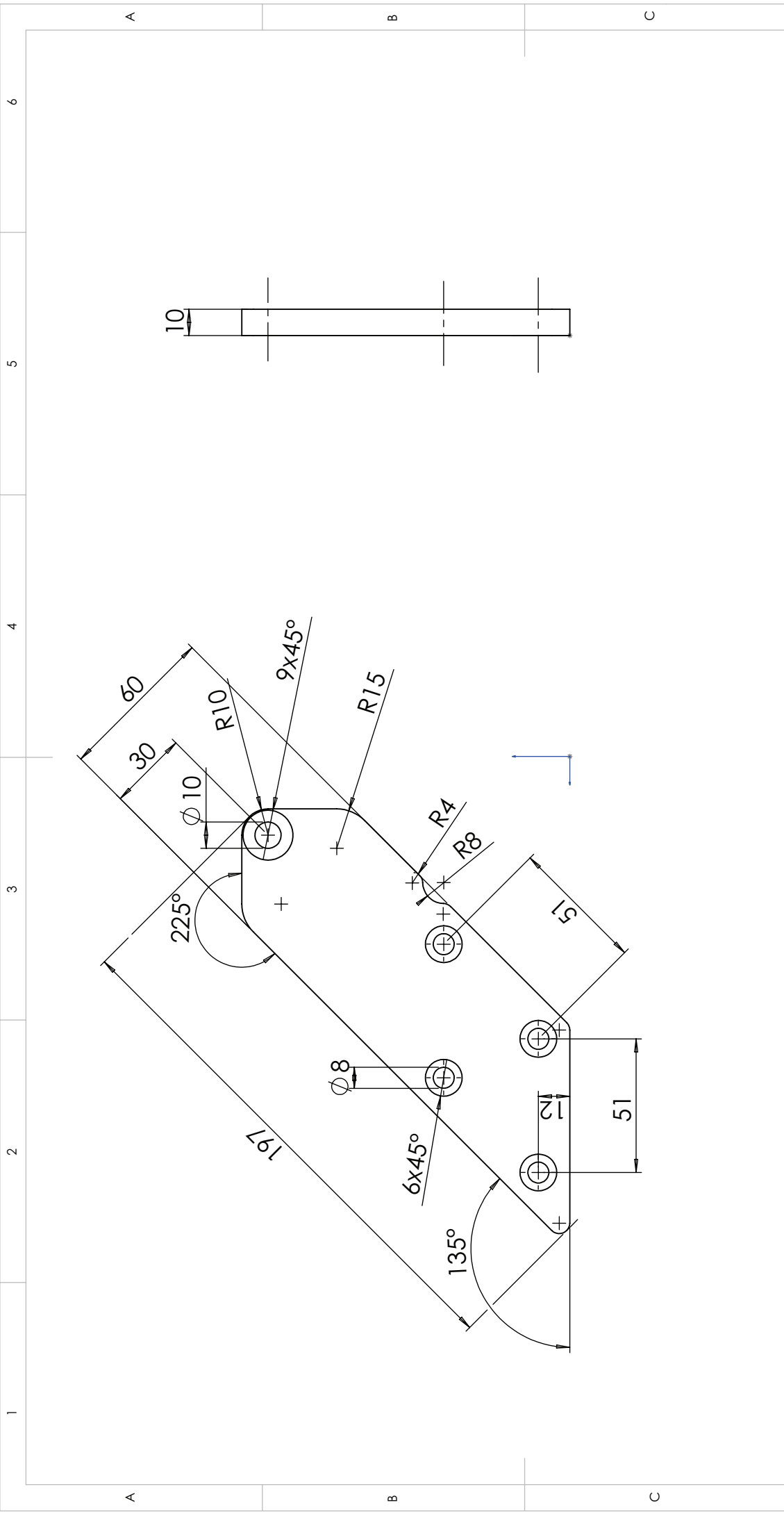


DRAWN		NAME	SIGNATURE	DATE	all edges deburred	general tolerance DIN 2768-f	MATERIAL:	WEIGHT:
DRAWN		NICOLAI		18.05.2010				
<p>© bei Übermittlung schutzfähiger Informationen behält sich KARLHEINZ NICOLAI KÜLTALSTR. 18 31093 LÜBBRECHTSEN - GERMANY alle Rechte für den Fall der Patentierung vor. Jede Verletzung der Rechte wird strafrechtlich, bei uns. © In case of communicating patentable information all rights arising in the event of a patent grant remain with KARLHEINZ NICOLAI KÜLTALSTR. 18 31093 LÜBBRECHTSEN - GERMANY. All rights of disposition, particularly for patenting, are reserved. All rights reserved. The English translation is believed to be accurate. In case of discrepancies the german version shall govern.</p>					TITLE:		steel	Linkage
DRAWN		NICOLAI		18.05.2010	DWG NO.			
DRAWN		NICOLAI		18.05.2010	SCALE:		1:1	1 OF 1

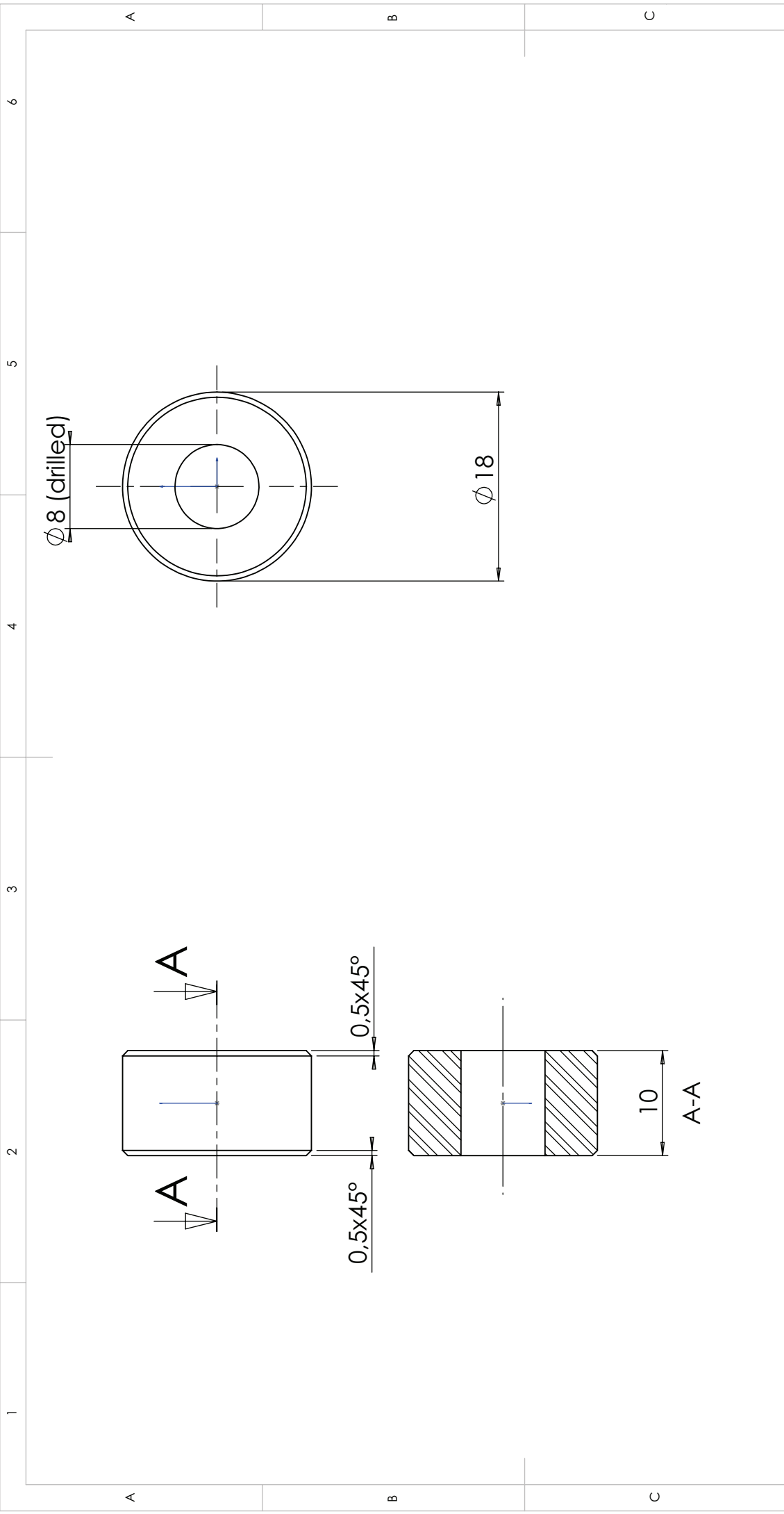




general tolerance DIN 2768-f		all edges deburred		MATERIAL: sheet steel		WEIGHT: 719.47 g	
DRAWN		NAME NICOLAI		SIGNATURE		DATE 18.05.2010	
<p>© bei Übermittlung schutzfähiger Informationen behält sich KARLHEINZ NICOLAI KÜLTALSTR. 18 31093 LÜBBRECHTSEN - GERMANY alle Rechte für den Fall der Patentierung vor. Jede Verfertigung, Verbreitung oder Benutzung ohne schriftliche Genehmigung ist ausdrücklich untersagt, bei uns. © in case of communicating patentable information all rights arising in the event of a patent grant remain with KARLHEINZ NICOLAI KÜLTALSTR. 18 31093 LÜBBRECHTSEN - GERMANY. All rights of disposition, particularly for reproduction, are reserved. Any use without our written consent is prohibited. The English translation is believed to be accurate. In case of discrepancies the german version shall govern.</p>							
							
Joint bearing plate left							
DWG NO.							
SCALE: 1:5							
A4							
1 OF 1							

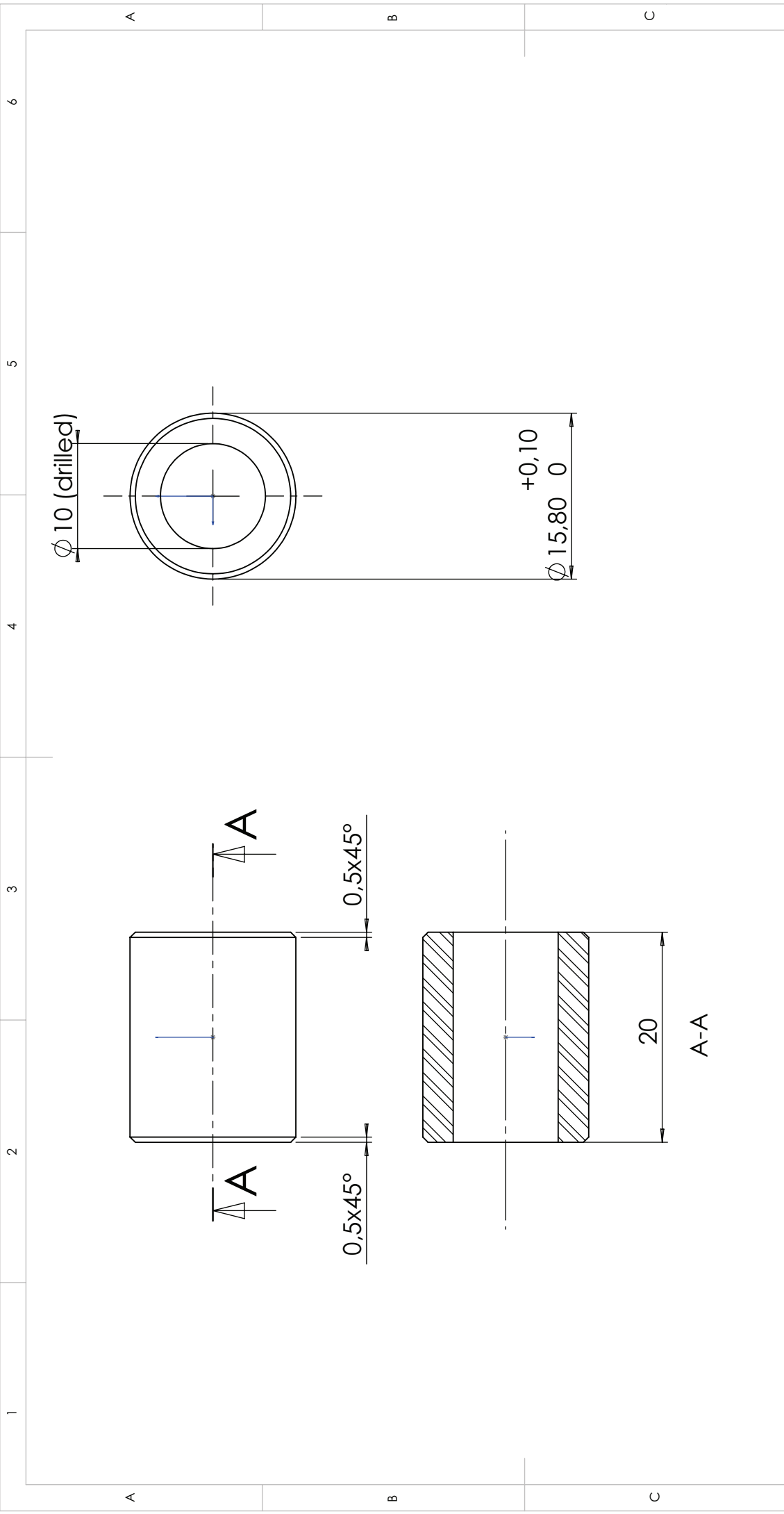



DRAWN		NAME	SIGNATURE	DATE	all edges deburred	general tolerance DIN 2768-f	MATERIAL: sheet steel	WEIGHT: 711.93 g
DRAWN		NICOLAI		18.05.2010				
<p>© bei Übermittlung schutzfähiger Informationen behält sich KARLHEINZ NICOLAI KÜLTALSTR. 18 31093 LÜBBRECHTSEN - GERMANY alle Rechte für den Fall der Patentierung vor. © in case of communicating patentable information all rights arising in the event of a patent grant remain with KARLHEINZ NICOLAI KÜLTALSTR. 18 31093 LÜBBRECHTSEN - GERMANY. All rights of disposition, particularly for reproduction, are reserved. The English translation is believed to be accurate. In case of discrepancies the german version shall govern.</p>					<p>TITLE: Joint bearing plate right</p>			
<p>DWG NO. Carbon Drive</p>								
SCALE: 1:5					A4			
1					2			
1					1 OF 1			



DRAWN		NAME	SIGNATURE	DATE	all edges deburred	general tolerance DIN 2768-f	MATERIAL: alloy	WEIGHT: 2.03 g	
DRAWN		NICOLAI		18.05.2010					
<p>© bei Übermittlung schutzfähiger Informationen behält sich KARLHEINZ NICOLAI KÜLTALSTR. 18 31093 LÜBBRECHTSEN - GERMANY alle Rechte für den Fall der Patentierung vor. © in case of communicating patentable information all rights arising in the event of a patent grant remain with KARLHEINZ NICOLAI KÜLTALSTR. 18 31093 LÜBBRECHTSEN - GERMANY. All rights of disposition, particularly for reproduction, are reserved. The English translation is believed to be accurate. In case of discrepancies the german version shall govern.</p>					TITLE: Bush		DWG NO. A4		
SCALE: 2:1		1 OF 1		1		2		6	





DRAWN		NAME	SIGNATURE	DATE	general tolerance DIN 2768-f	MATERIAL:	alloy	WEIGHT:	2.34 g
DRAWN		NICOLAI		18.05.2010					
<p>© bei Übermittlung schutzfähiger Informationen behält sich KARLHEINZ NICOLAI KÜLTALSTR. 18 31093 LÜBBRECHTSEN - GERMANY alle Rechte für den Fall der Patentierung vor. © In case of communicating patentable information all rights arising in the event of a patent grant remain with KARLHEINZ NICOLAI KÜLTALSTR. 18 31093 LÜBBRECHTSEN - GERMANY. All rights of disposition, particularly for reproduction, are reserved. The accuracy of The English translation is believed to be accurate. In case of discrepancies the german version shall govern.</p>					TITLE:		Joint bearing bush		
					DWG NO.		A4		
					SCALE:		2:1		
					1 OF 1				