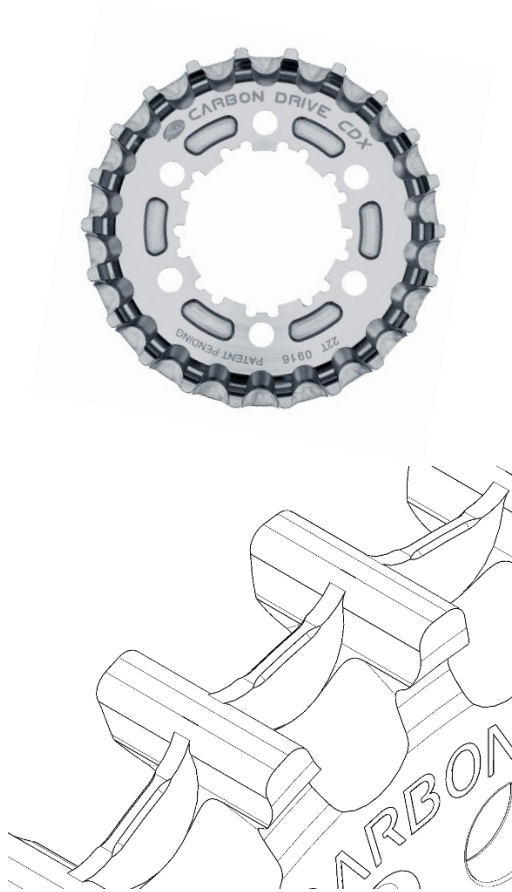


Sep 2024
Supersedes Jan 2024

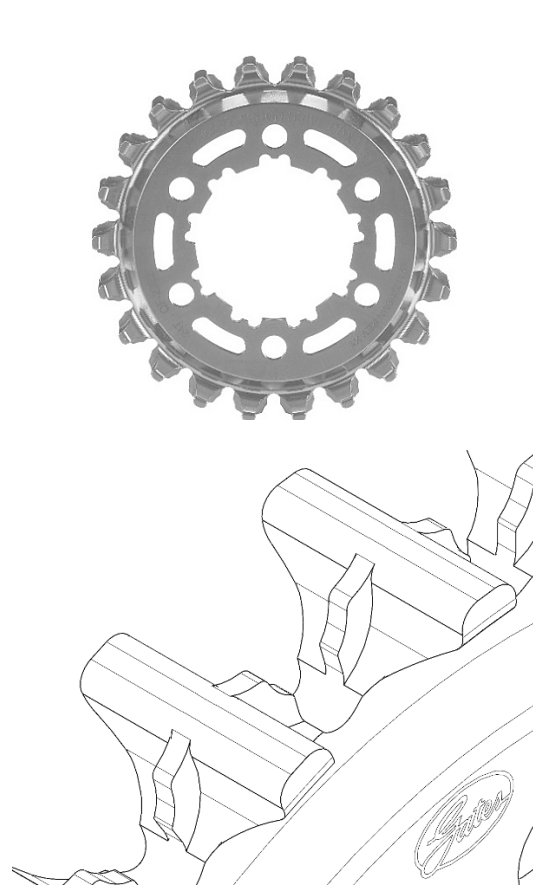
CENTERTRACK (FIN) UPDATE

Gates debuted the CenterTrack (Fin) design in 2019 with the release of CDC front sprockets. This new CenterTrack (Fin) technology proved to shed debris even better than CenterTrack (Original). Because of this excellent performance in the field, Gates decided to implement CenterTrack (Fin) across select CDX and CDC product lines.

CenterTrack (Original) Rear Sprocket



CenterTrack (Fin) Rear Sprocket



The CenterTrack (Fin) design will be rolled out on both front and rear sprockets, including some crank and spider assemblies. See cross reference on the next page. This chart will be updated as new CenterTrack (Fin) parts become available.

Your Gates Belt Drive representative will provide updated order confirmation when CenterTrack (Fin) components will replace CenterTrack (Original) components for existing orders. Some original CenterTrack sprockets will continue shipping for the foreseeable future. Contact your Gates professional for any further questions. Other minor design changes may be present depending on manufacturing location but will not impact fit or function.

Refer to the chart on the following pages for Part Description changes and expected shipping dates. This running change is already in progress. Some parts may not have been available as CenterTrack (Original). For additional information or assistance, please contact your Gates Belt Drive representative.



Sprocket Type	Family	Teeth	Mounting Style / Application	CenterTrack (Original) Part Description	CenterTrack (Fin) Part Description	CenterTrack (Fin) Planned Launch Date*
Rear	CDX	22	H9	CT1122HMN	XF1122H9MN	Available
Rear	CDX	24	H9	N/A	XF1124H9MN	Available
Rear	CDX	26	H9	N/A	XF1126H9MN	Available
Rear	CDX	22	E9	N/A	XF1122E9MN	Available
Rear	CDX	24	E9	N/A	XF1124E9MN	Available
Rear	CDX	26	E9	N/A	XF1126E9MN	Available
Rear	CDC	22	E9	N/A	CF1122E9SE	Available
Rear	CDC	24	E9	N/A	CF1124E9SE	Available
Rear	CDX	22	XU	CT1122XMN-U	XF1122XUMN	Available
Rear	CDX	24	XU	CT1124XMN-U	XF1124XUMN	Dec-2024
Rear	CDX	26	XU	CT1126XMN-U	XF1126XUMN	Available
Rear	CDX	24	YU	CT1124YMN-U	XF1124YUMN	Available
Rear	CDX	28	YU	CT1128YMN-U	XF1128YUMN	Dec-2024
Rear	CDX	30	YU	CT1130YMN-U	XF1130YUMN	Available
Rear	CDX	32	YU	CT1132YMN-U	XF1132YUMN	Dec-2024
Rear	CDX	34	YU	CT1134YMN-U	XF1134YUMN	Available
Rear	CDX	36	YU	CT1136YMN-U	XF1136YUMN	Dec-2024
Rear	CDX	19	S9	CT1119SMN	XF1119S9MN	Available
Rear	CDX	20	S9	CT1120SMN	XF1120S9MN	Available
Rear	CDX	21	S9	CT1121SMN	XF1121S9MN	Dec-2024
Rear	CDX	22	S9	CT1122SMN	XF1122S9MN	Available
Rear	CDX	24	S9	CT1124SMN	XF1124S9MN	Dec-2024
Rear	CDX	26	S9	CT1126SMN	XF1126S9MN	Available
Rear	CDX	28	S9	CT1128SMN	XF1128S9MN	Available
Rear	CDX	30	S9	CT1130SMN	XF1130S9MN	Available
Rear	CDX	32	S9	CT1132SMN	XF1132S9MN	Available
Rear	CDX	34	S9	CT1134SMN	XF1134S9MN	Available
Rear	CDX	39	S9	CT1139SMN	XF1139S9MN	Available
Rear	CDX	19	RS	CT1119RSMN	XF1119RSMN	Available
Rear	CDX	20	RS	CT1120RSMN	XF1120RSMN	Available
Rear	CDX	22	RS	CT1122RSMN	XF1122RSMN	Available
Front	CDX	34	VL	N/A	XF1134VLMN	Available
Front with guard	CDX	34	VL	N/A	XF1134VLMN BG	Available
Front	CDX	39	B4	CT11394AA	XF1139B4AA	Available
Front	CDX	42	B4	CT11424AA	XF1142B4AA	Available
Front	CDX	46	B4	CT11464AA	XF1146B4AA	Available
Front	CDX	46	B5	CT11465AA	XF1146B5AA	Available
Front	CDX	46	D5	CT11465AA-D	XF1146D5AA	Available



<i>Sprocket Type</i>	<i>Family</i>	<i>Teeth</i>	<i>Mounting Style / Application</i>	<i>CenterTrack (Original) Part Description</i>	<i>CenterTrack (Fin) Part Description</i>	<i>CenterTrack (Fin) Planned Launch Date*</i>
Front	CDX	48	B5	CT11485AA	XF1148B5AA	Available
Front	CDX	48	D5	CT11485AA-D	XF1148D5AA	Available
Front	CDX	50	B4	CT11504AA	XF1150B4AA	Available
Front	CDX	50	B5	CT11505AA	XF1150B5AA	Available
Front	CDX	50	D5	CT11505AA-D	XF1150D5AA	Available
Front	CDX	55	B4	CT11554AA	XF1155B4AA	Available
Front	CDX	55	B5	CT11555AA	XF1155B5AA	Available
Front	CDX	55	D5	CT11555AA-D	XF1155D5AA	Available
Front	CDX	60	B5	CT11605AA	XF1160B5AA	Available
Front	CDX	60	D5	CT11605AA-D	XF1160D5AA	Available
Front	CDX	63	B5	CT11635AA	XF1163B5AA	Available
Front	CDX	63	D5	N/A	XF1163D5AA	Available
Front	CDX	70	B5	CT11705AA	XF1170B5AA	Q2 2025

Note: Part Descriptions of assemblies that do not call out the individual components will not change. The Product Number will change, indicating a new assembly using CenterTrack (Fin) sprockets. Your Gates Belt Drive representative will provide this if you receive an updated order confirmation.

*Launch dates are estimated and subject to change. Lead times apply.